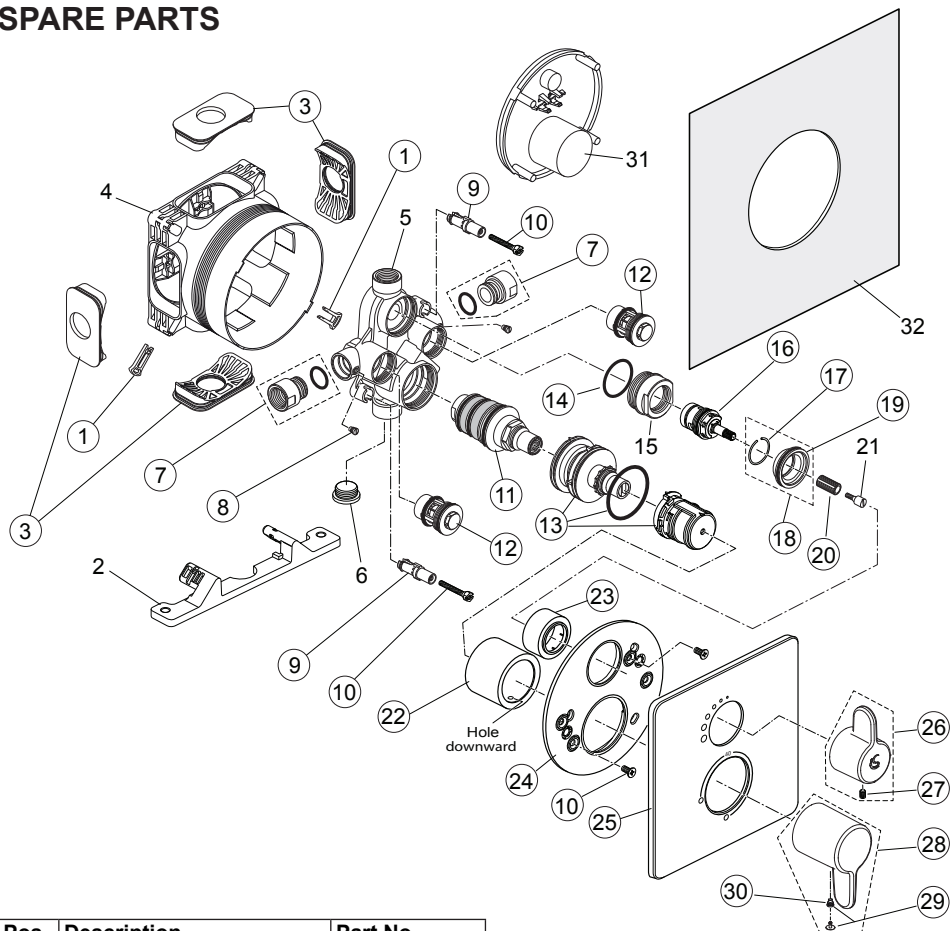
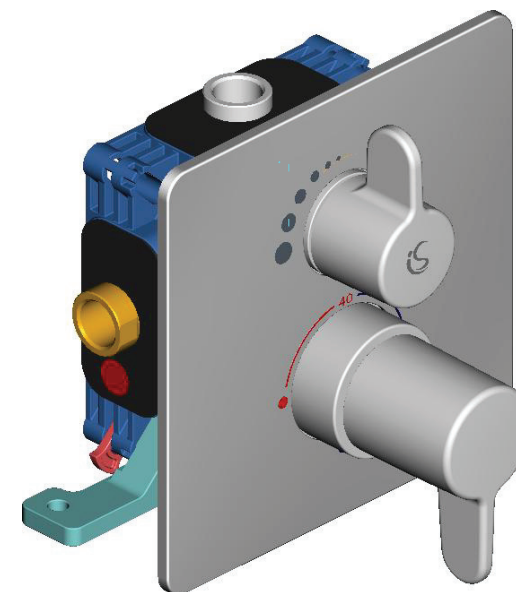


SPARE PARTS



SHOWER BUILT-IN THERMOSTAT WITH DIVERTER

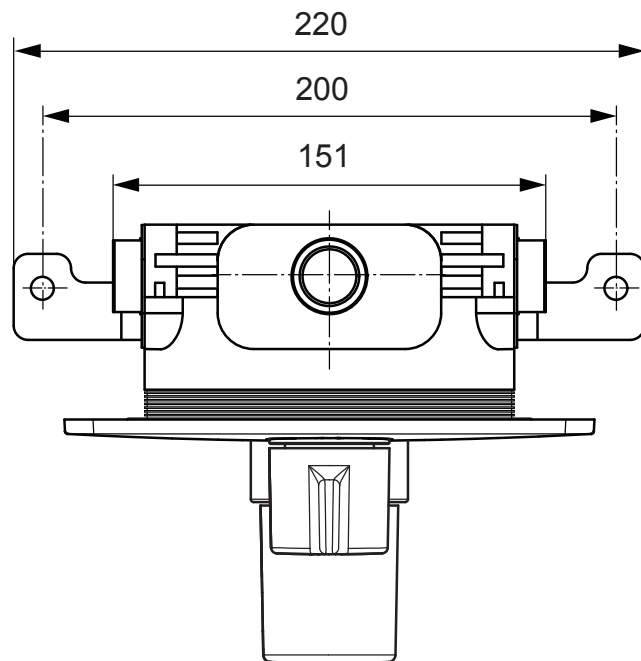
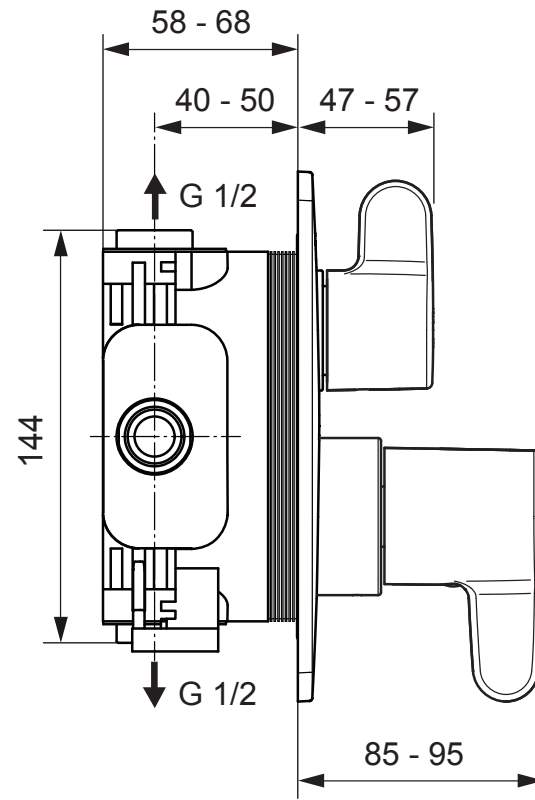
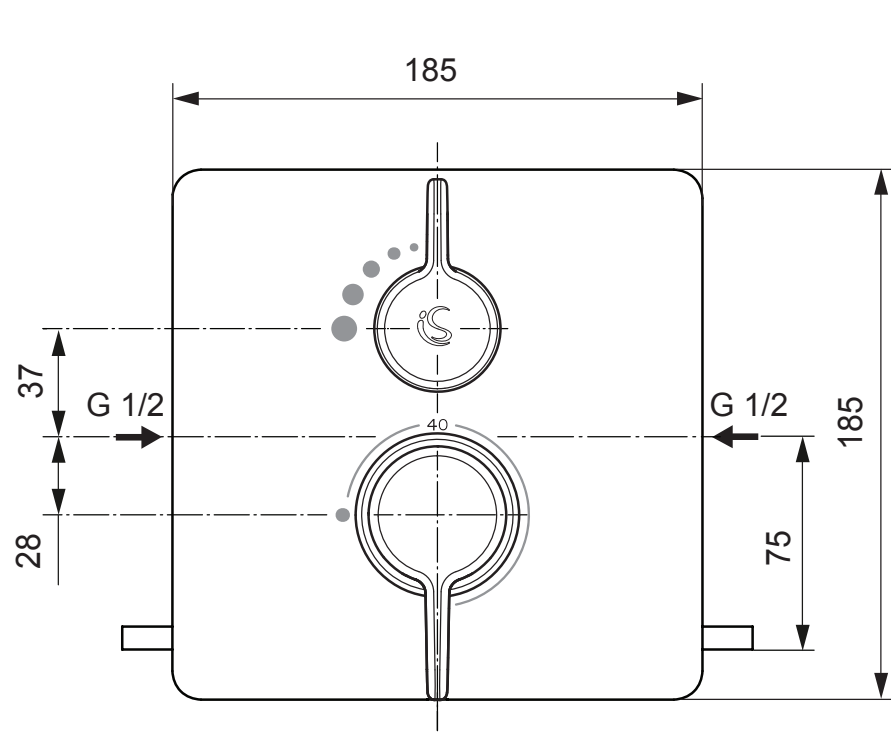
A 6377 AA



Pos.	Description	Part No.
1	Adjustment lock	A 963 131 NU*
2	Fixation Built-in Box	
3	Side sealing	A 963 132 NU
4	Built-in box	
5	Body Thermostat with Volume control	
7	Connection nipple cpl.	F 960 899 NU
8	Thread pin M5 x 5,5	A 961 183 NU
9	Adapter screw	F 960 903 NU
10	Screw set complete	F 960 904 NU*
11	Thermostat cartridge	F 960 905 NU
12	None-return valve DN20	F 960 906 NU
13	Temp.-adjustment compl.	A 963 427 NU*
14	O - ring Ø 31,47 x 1,78	A 963 154 NU
15	Thread ring M36 x 1,5	
16	Headwork G3/4 - 90°	A 960 898 NU
17	Snap ring	A 962 368 NU
18	Holder f. escutcheon Vol.	F 960 909 NU
19	O - ring Ø 34 x 2	A 960 183 NU

20	Handle insert	A 963 196 NU
21	Fixation screw M4 / Ø8 / 22,5	
22	Cover / Cap Temperature	A 860 947 AA
23	Cover / Cap Volume Contr.	F 960 911 AA
24	Escutcheon holder compl.	F 960 912 NU
25	Escutcheon Temp./Volume	F 960 915 AA
26	Volume handle cpl.	A 860 948 AA
27	Thread pin M5 x 8 DIN913	A 960 229 NU
28	Handle Therm cpl.	A 860 949 AA
29	Cap + Screw	A 962 149 AA
30	Handle screw M5x5	A 961 095 NU
31	Cover for built-in box	
32	Sealing fleece	

* Universal-Set - not all parts are needed



DIMENSIONS