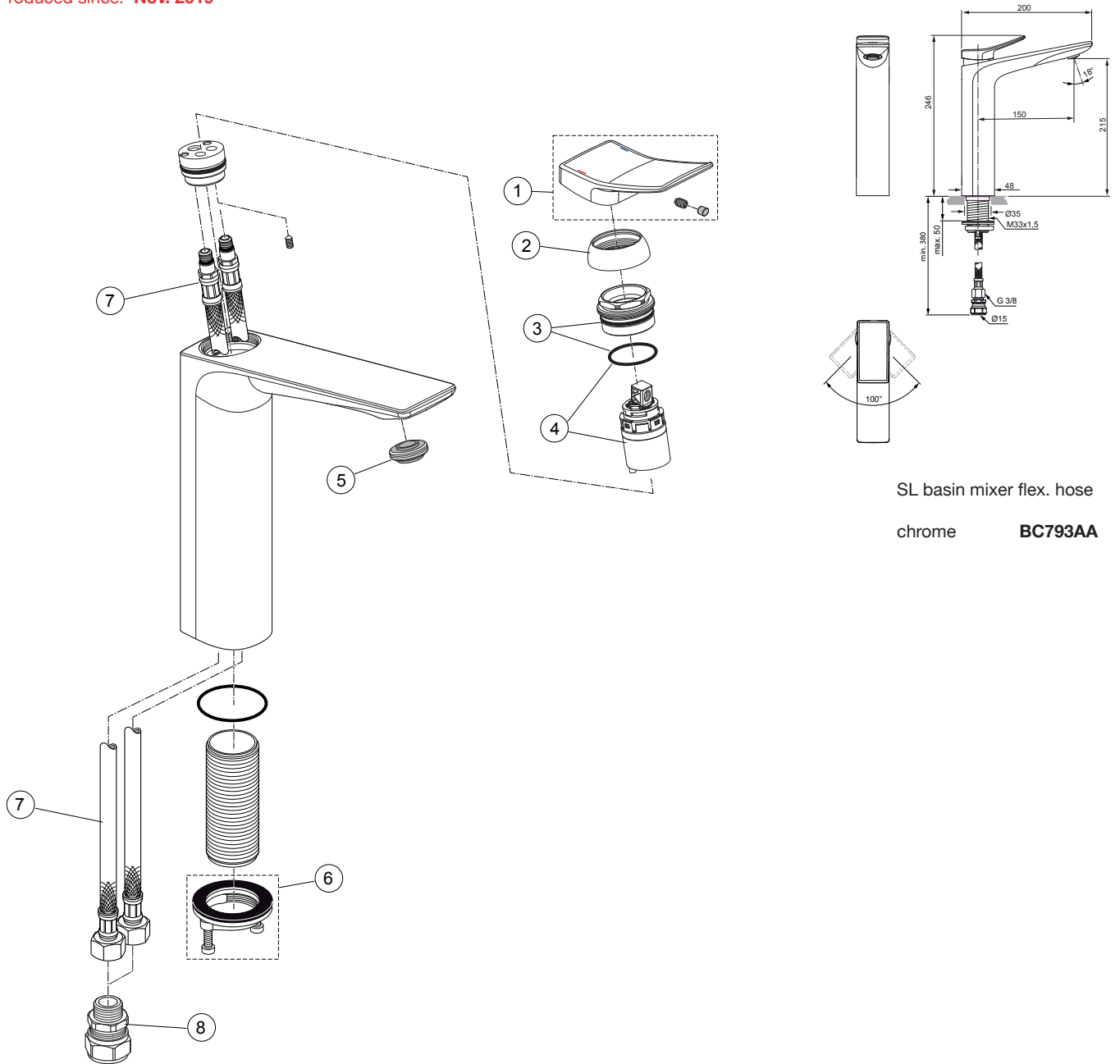


Produced since: **Nov. 2019**



Replace XX with the appropriate finish code

Chrome = AA Silver Storm = GN Gold = A2 Magnetic Grey = A5

Example spare part order:

A 861 416 AA in Chrome

Pos.	Description	Part-Number	Qty.	Pos.	Description	Part-Number	Qty.
1	Lever cpl.	A 861 416 XX	1 Set				
2	Cover cap	A 861 417 XX	1 pcs				
3	O - Ring Ø 28 x 2	A 963 299 NU	1 pcs				
4	Cartridge Ø28 + O - Ring	A 861 399 NU	1 Set				
5	Aerator M24x1	A 861 436 NU	1 pcs				
6	Fixation kit	A 960 486 NU*	1 Set				
7	Flex. hose M8x1-G3/8-550	A 961 477 NU	1 pcs				
8	Connector G3/8 D15	B 960 845 NU	2 pcs				

*Universal set (not all parts needed)