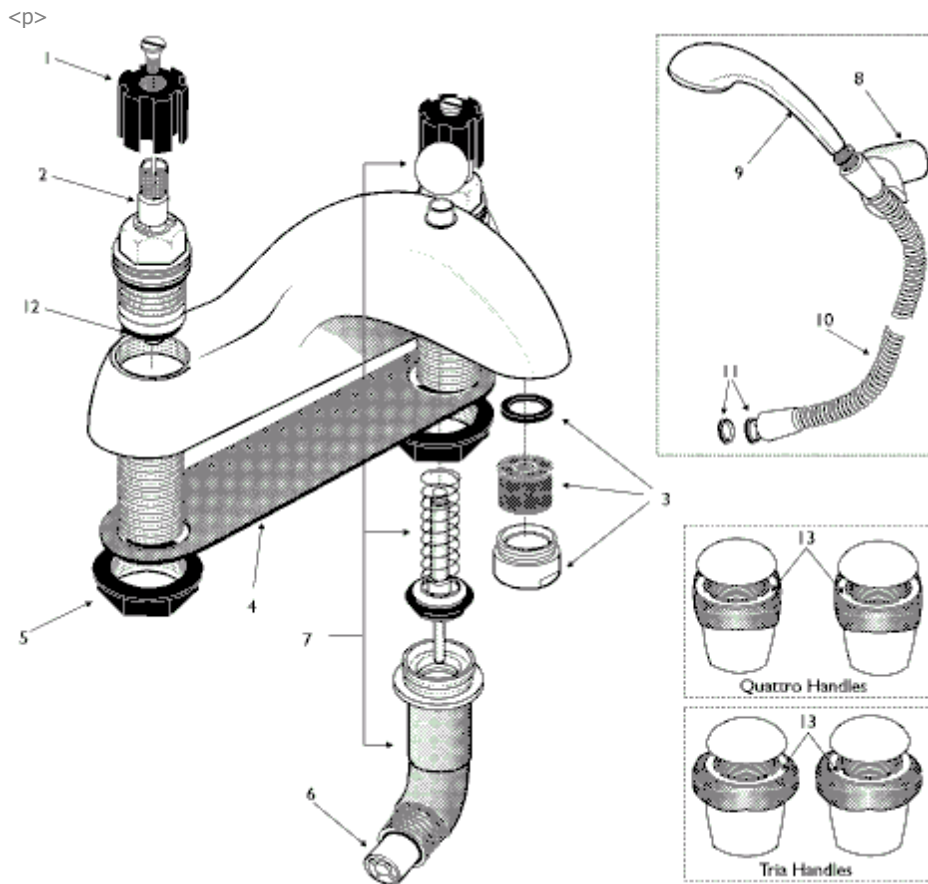


**IDEAL-STANDARD BRASSWARE WATERWAYS E6920 (692) Bath Mixer 2H DM C/W KIT**



Ref.	Description
1	Handle carrier
2	1/2 IS rubber valve internal headwork inc screw (was A951130NU11)
2	3/4" I-S RUBBER VALVE CW SCREW
3a	Flow straightener (low pressure)
3b	Neostrahl nozzle (high pressure)
4	Gasket
5	3/4" Back nut
6	Check valve
7	Diverter complete
7a	Diverter knob
8	Showering station from May 2003
9	Handspray CP - SF Ideal Standard from May 2003
10	1.8m hose
11	Hose washers
12	Replacement valve washer pack
13R	Index ring RED
13B	Index ring BLUE
13a	HANDLE SCREW M8XM4 QUATTRO
14	SHOWER HOSE BRACKET - CHROME
15	SHOWER HOSE BRACKET - WHITE

Part No.
A922539
-
A951645NU11
A963029--
A960309--
E960454NU
EESM40710067
A952849
E960455AA
A909938AA11
S960164AA
B950791AA11
A923451
L960220NU
A961672NU
E910031NU
E910030NU
E918330U
EEM134901AA
EEM13490001

**NB -- colour/finish options**

Chrome = AA  
 Gold = AZ  
 White = AC