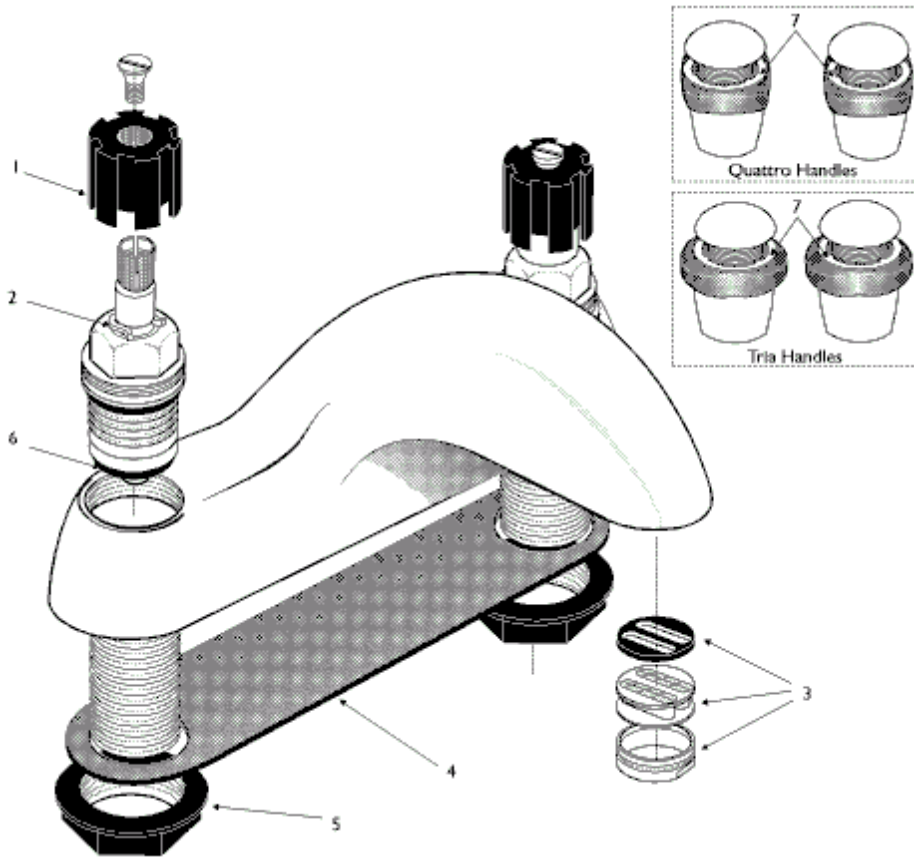


<p>



Ref.	Description
1	Handle carrier
2	1/2 IS rubber valve internal headwork inc screw (was A951130NU11)
2	3/4" I-S RUBBER VALVE CW SCREW
3	Flow straightener complete
4	Gasket
5	3/4" back nut
6	Replacment valve washer pack
7R	Index ring RED
7B	Index ring BLUE
7a	HANDLE SCREW M8XM4 QUATTRO

Part No.
A922539
-
A951645NU11
A962978--
E960454NU
EESM40710067
A961672NU
E910031NU
E910030NU
E960609NU

NB -- colour/finish options

Chrome = AA
 Gold = AZ
 White = AC