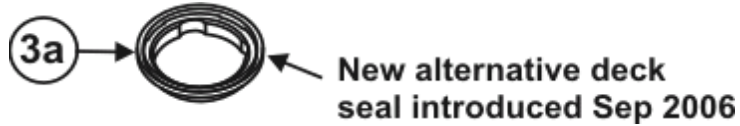
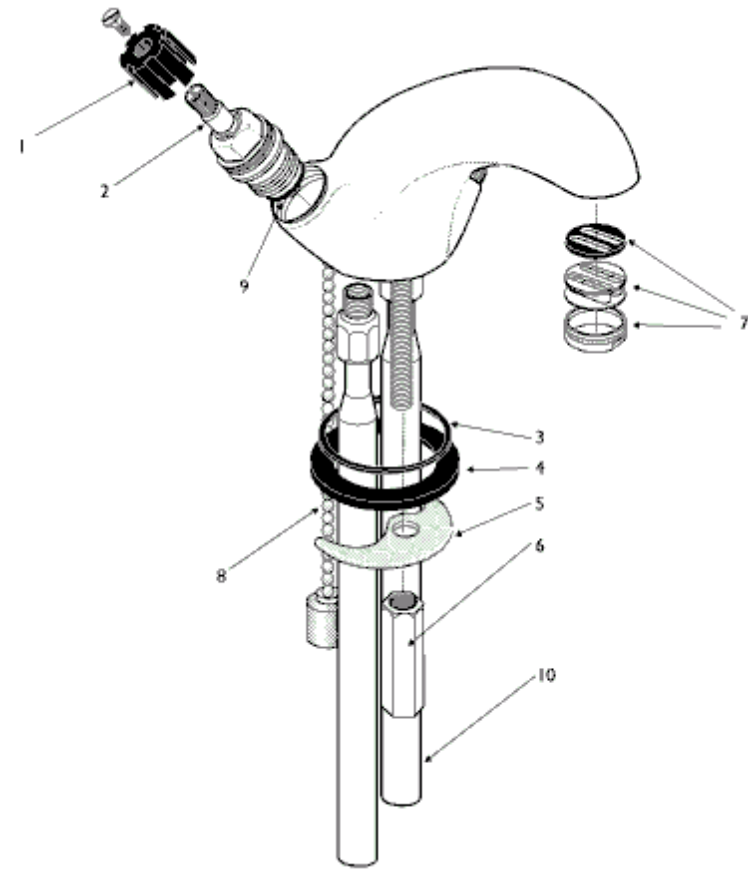


<p>



<b>Ref.</b>	<b>Description</b>	<b>Part No.</b>
1	Handle carrier	A922539
2	1/2 IS rubber valve internal headwork inc screw	A951130NU11
3	O' ring washer	E960461NU
3a	CENTRAL SEALING GASKET AD=42.5	A961302NU
4	Fixing kit (3,4,5 & 6)	E950607NU
7	Flow straightener	A962974AA
8	Beaded chain assembly	A960933NU
9	Replacement valve washer pack	A961672NU
10	Pair of M12 inlet tails complete with o-rings	E960517NU

**NB -- colour/finish options**

- Chrome = AA
- Gold = AZ
- White = AC