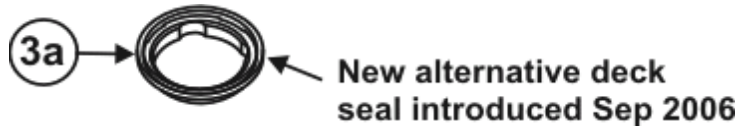
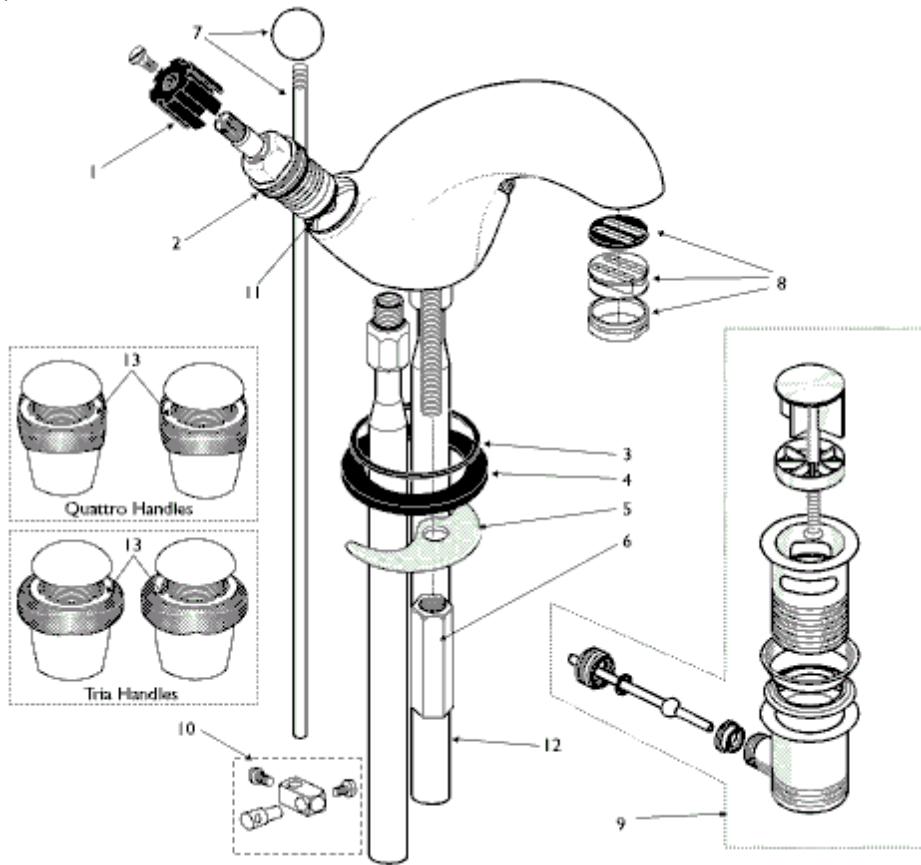


<p>



Ref.	Description	Part No.
1	Handle carrier	A922539
2	1/2 IS rubber valve internal headwork inc screw	A951130NU11
3	'O' ring washer	E960461NU
3a	CENTRAL SEALING GASKET AD=42.5	A961302NU
4	Fixing kit (3,4,5 & 6)	E950607NU
7	Pop-up knob	E960545AA
7a	Pop-up rod stainless steel for chrome	E960540NU
7c	Pop up rod gold	E919574--
8	Flow straightener	A962974--
9	Pop-up waste complete	E950612--
10	Pop-up rod fixing clip	A963404NU
11	Replacement valve washer pack	A961672NU
12	Pair of M12 inlet tails complete with o-rings	E960517NU
13R	Index ring RED	E910031NU
13B	Index ring BLUE	E910030NU
13a	HANDLE SCREW M8XM4 QUATTRO	E960609NU

**NB -- colour/finish options**

Chrome = AA  
 Gold = AZ  
 White = AC