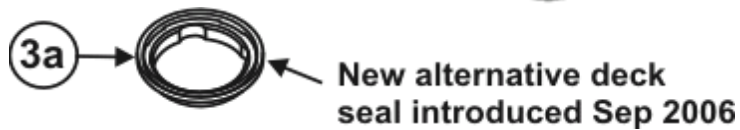
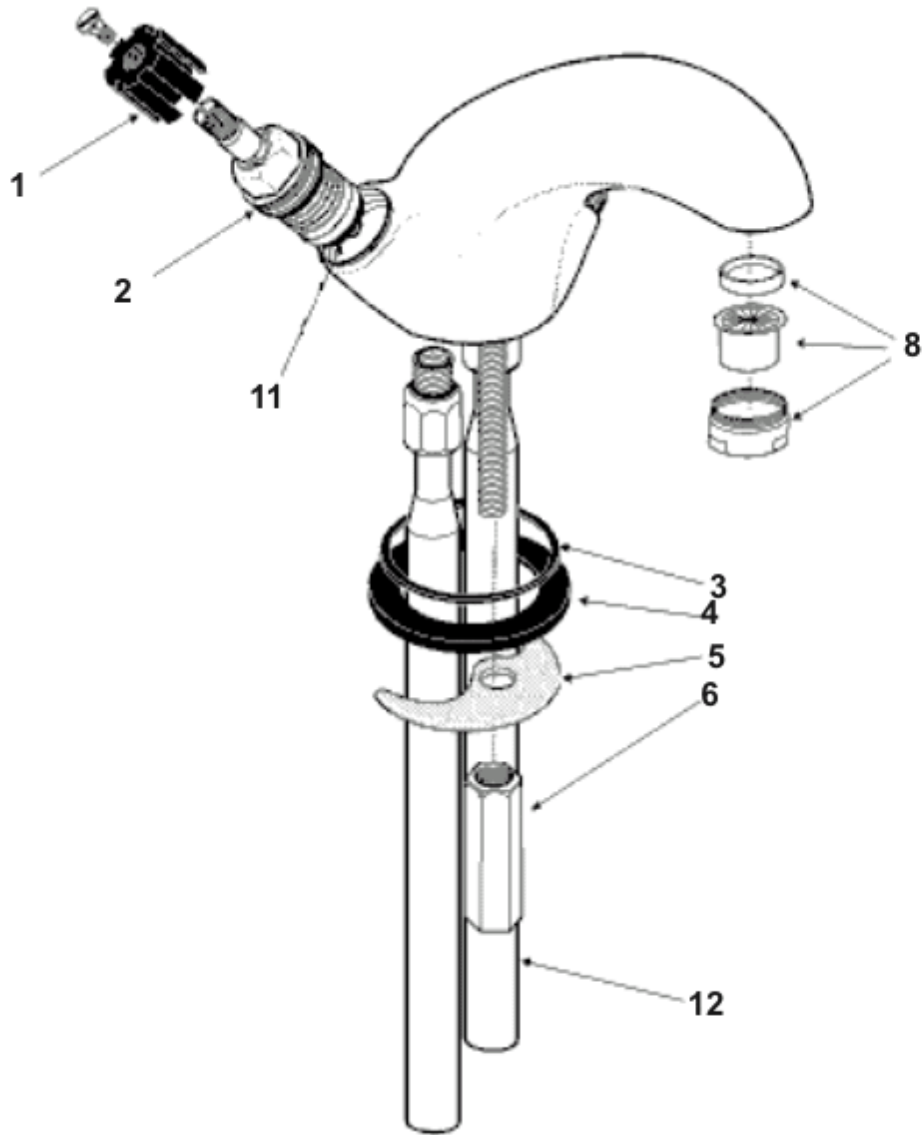


<p>



<b>Ref.</b>	<b>Description</b>	<b>Part No.</b>
1	Handle carrier	A922539
2a	1/2 IS rubber valve internal headwork inc screw	A951130NU11
2b	Valve screw	E918322NU
3	O ring washer	E960461NU
3a	CENTRAL SEALING GASKET AD=42.5	A961302NU
4	Fixing kit (3,4,5 & 6)	E950607NU
8a	Flow straightener (low pressure)	E950655--
8b	Neoperl nozzle (high pressure)	A923787--
11	Replacement valve washer pack	A961672NU
12	Pair of Studio Porcelain Handles	E595001
13	Weighted Chain (for E6870 only)	A960933NU

**NB -- colour/finish options**

Chrome = AA  
Gold = AZ

