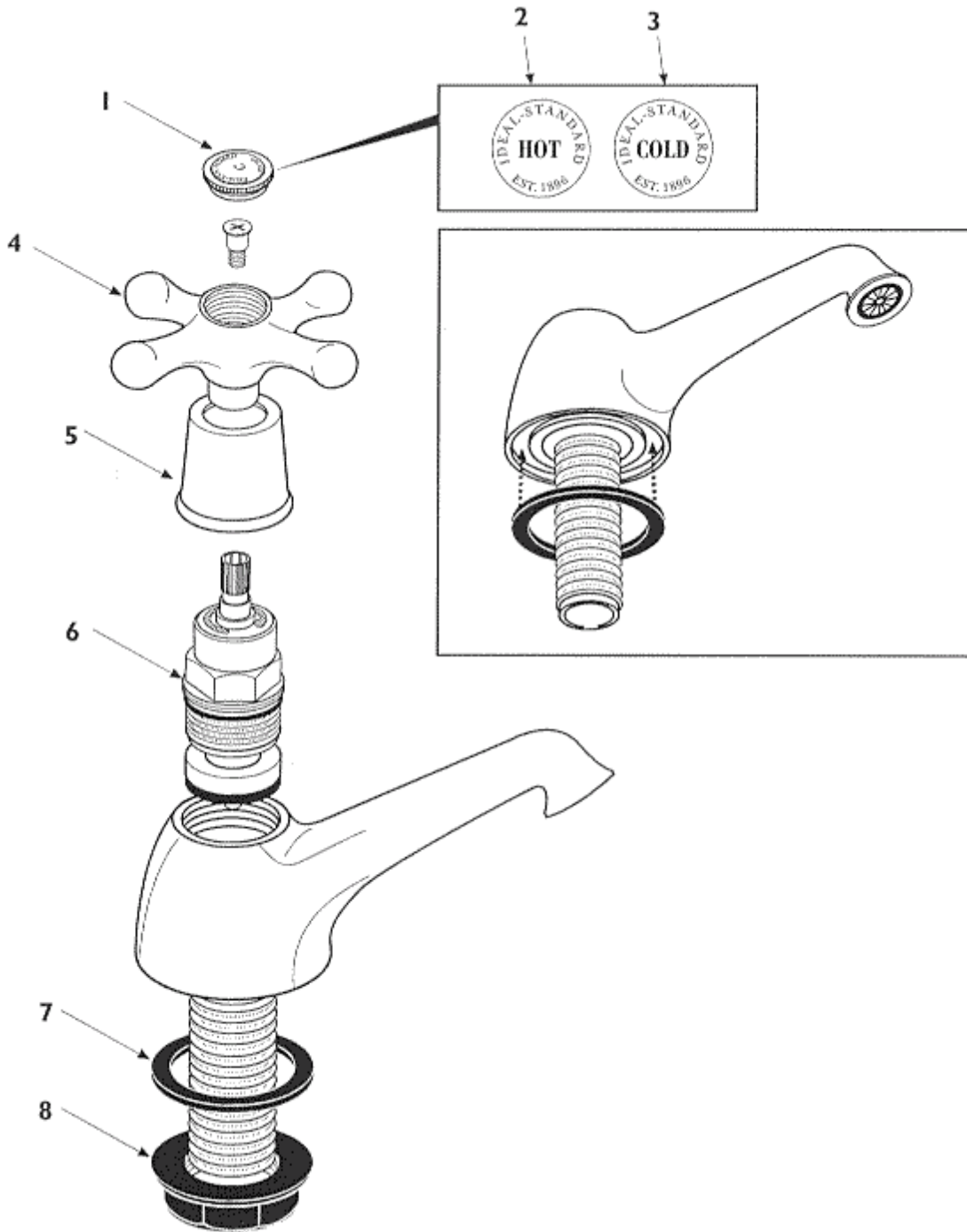


<p>



| Ref. | Description |
|------|---|
| 1 | Handle Indice Housing |
| 2 | Hot Index |
| 3 | Cold Index |
| 4 | Handle |
| 5 | Valve Cover |
| 6 | 1/2 IS rubber valve internal headwork inc screw |
| 7 | 'O' ring 32 mm x 25 mm |
| 8 | 1/2" Backnut |
| 8a | REPLACEMENT 1/2" BRASS BACKNUT |
| 8b | 3/4" Backnut |
| 8c | REPLACEMENT 3/4" BRASS BACKNUT |
| 9 | Flow Straightner |

| Part No. |
|--------------|
| E909649-- |
| E909657NU |
| E909658NU |
| E908791-- |
| E907775-- |
| A951130NU11 |
| E912774NU |
| EESM40700067 |
| E960112NU |
| EESM40710067 |
| E960111NU |
| E910370NU |

NB -- colour/finish options

Chrome = AA

Light Gold = AZ
