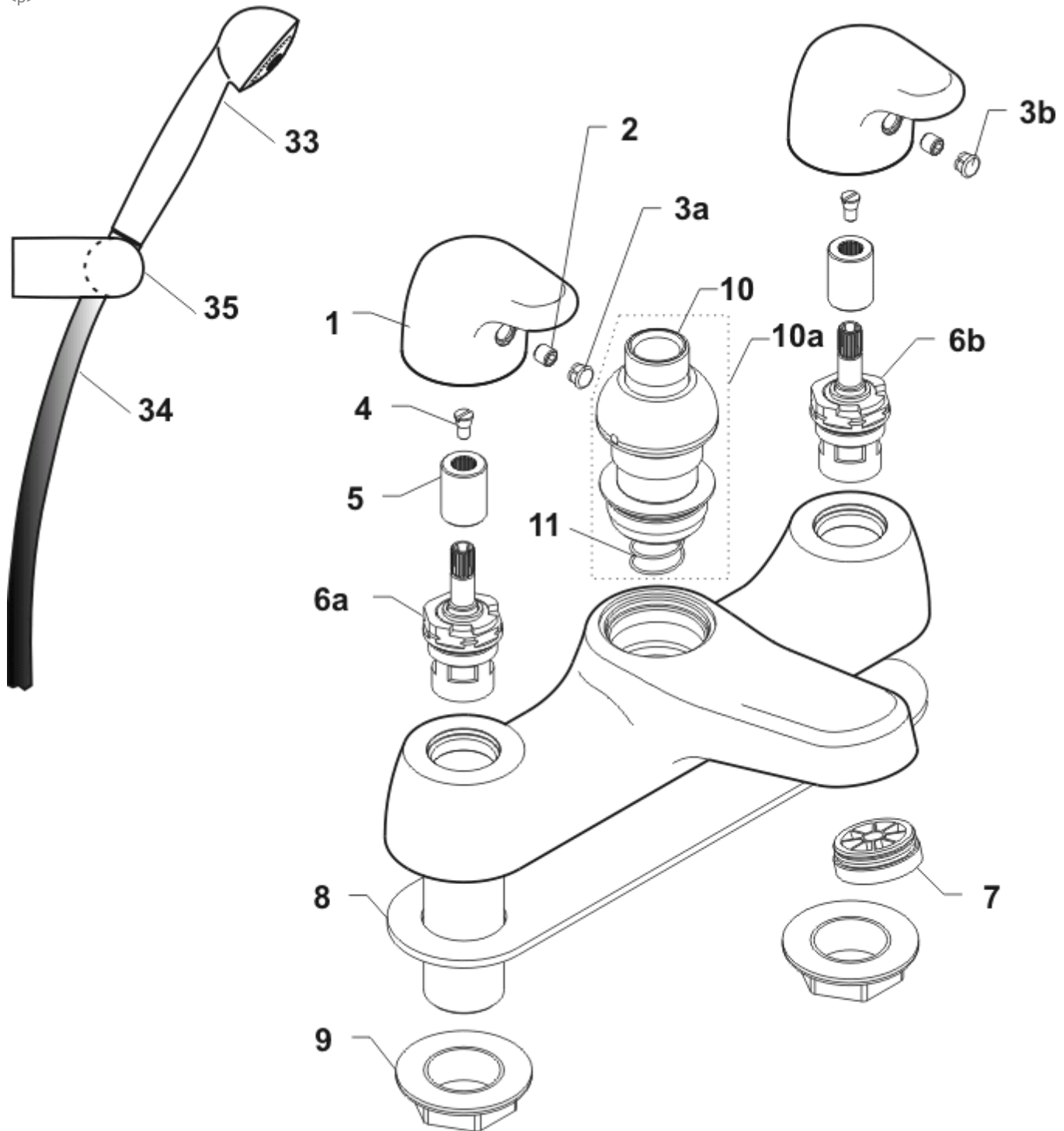


<p>



<b>Ref.</b>	<b>Description</b>	<b>Part No.</b>
1	Handle	E960562AA
2	Grub screw	E91830067
3a	Red Handle index	E907022NU
3b	Blue handle index	E907023NU
4	Sleeve retaining screw	A91831914
5	Sleeve	E911112NU
6a	3/4 SE CERAMIC DISC CART A/CL CLOSE LOW FRICTION	A954353NU11
6b	3/4 SE CERAMIC DISC CART CL CLOSE LOW FRICTION	A954352NU11
6c	SE CERAMIC DISC CARTRIDGES L/FR PAIR ** Spares **	S960023NU
7	Flow straightener	E960145NU
8	Gasket	E911706NU
9	3/4in backnut	EESM40710067
10	Diverter valve s/assy	E950300AA
10a	Diverter complete with spring	S961333AA
11	Diverter valve spring b/o	E915812NU
33	Hand spray	B950791AA11
34	Flexible hose 1.35m	E4745AA
35	Showering station	S960164AA
36	SHOWER HOSE BRACKET - CHROME	EEM134901AA
37	SHOWER HOSE BRACKET - WHITE	EEM13490001

**NB -- colour/finish options**

Chrome = AA

No Finish = NU

---