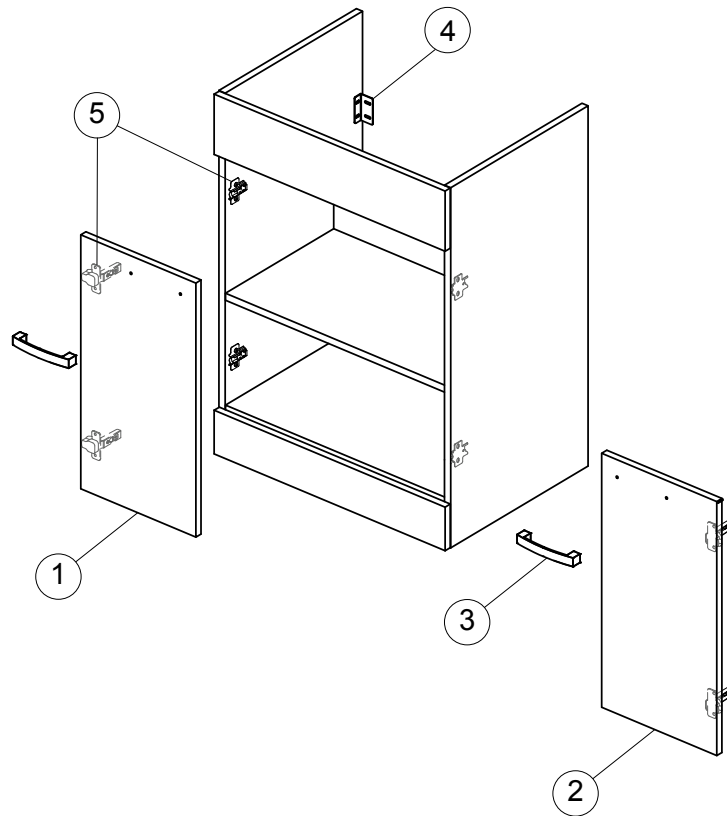


Spare parts

Floor standing unit 60 with plinth



Item	Description	Colour/Finish	Code No.	Quantity
1	Left Hand Door 60 (With hinges)	WG - White SG - Gray OS - OAK	EF029WG EF029SG EF029OS	1
2	Right Hand Door 60 (With hinges)	WG - White SG - Gray OS - OAK	EF030WG EF030SG EF030OS	1
3	Handle + screws		EF03167	1
4	L-Bracket support		EF02467	1
5	Hinge KIT for door SC (Hinge + plate)		EV43667	1 + 1