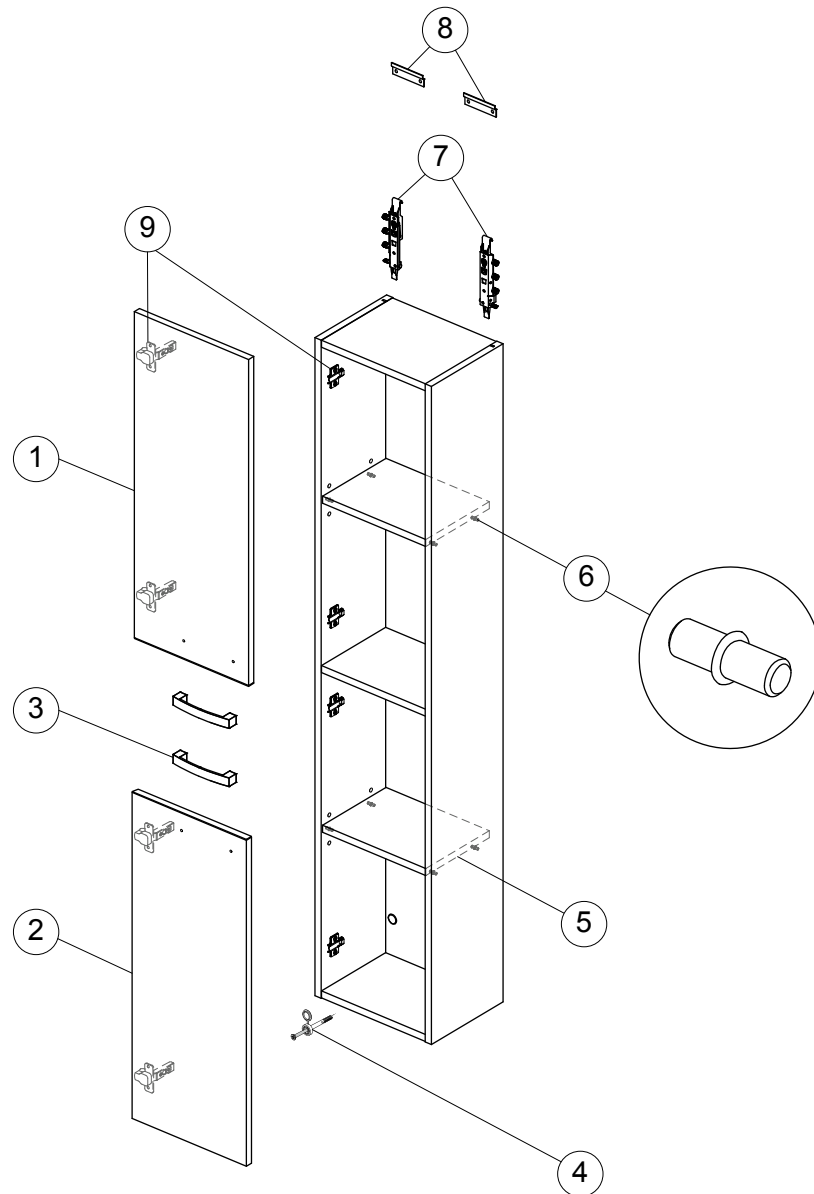


Spare parts

Column



Item	Description	Colour/Finish	Code No.	Quantity
1	Upper door (With hinges)	WG - White SG - Gray OS - OAK	EF036WG EF036SG EF036OS	1
2	Lower door (With hinges)	WG - White SG - Gray OS - OAK	EF037WG EF037SG EF037OS	1
3	Handle + screws		EF03167	1
4	Security screw fixation column		EF03867	1
5	Shelf	WG - White SG - Gray OS - OAK	EV434WG EV434SG EV434OS	1
6	Shelf holder KIT		EV43567	4
7	Hanging bracket KIT Traser 6		EV43867	Pair
8	Wall fixation KIT column		EV43767	2
9	Hinge KIT for door SC (Hinge + plate)		EV43667	1 + 1