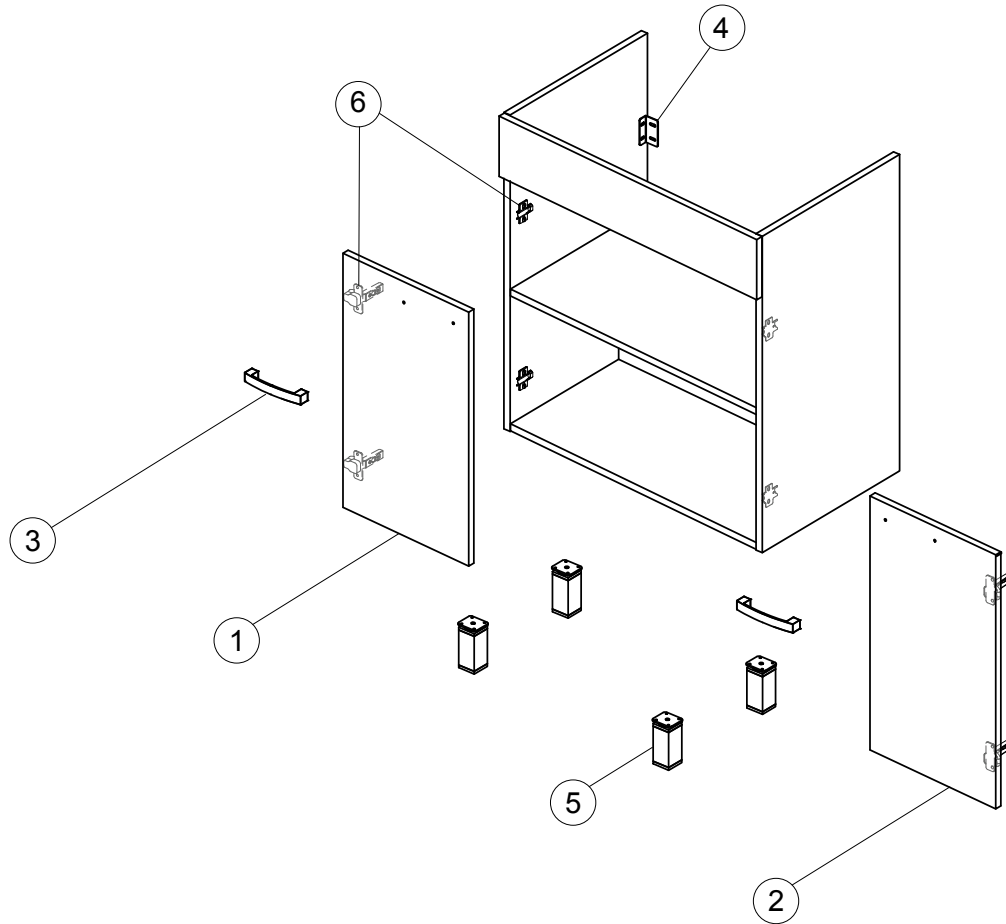


Spare parts

Basin Unit 80 2 doors



Item	Description	Colour/Finish	Code No.	Quantity
1	Left Hand Door 80 (With hinges)	WG - White SG - Gray OS - OAK	EF032WG EF032SG EF032OS	1
2	Right Hand Door 80 (With hinges)	WG - White SG - Gray OS - OAK	EF033WG EF033SG EF033OS	1
3	Handle + screws		EF03167	1
4	L-Bracket support		EF02467	1
5	Short leg H100 adjustable		EV43967	1
6	Hinge KIT for door SC (Hinge + plate)		EV43667	1 + 1