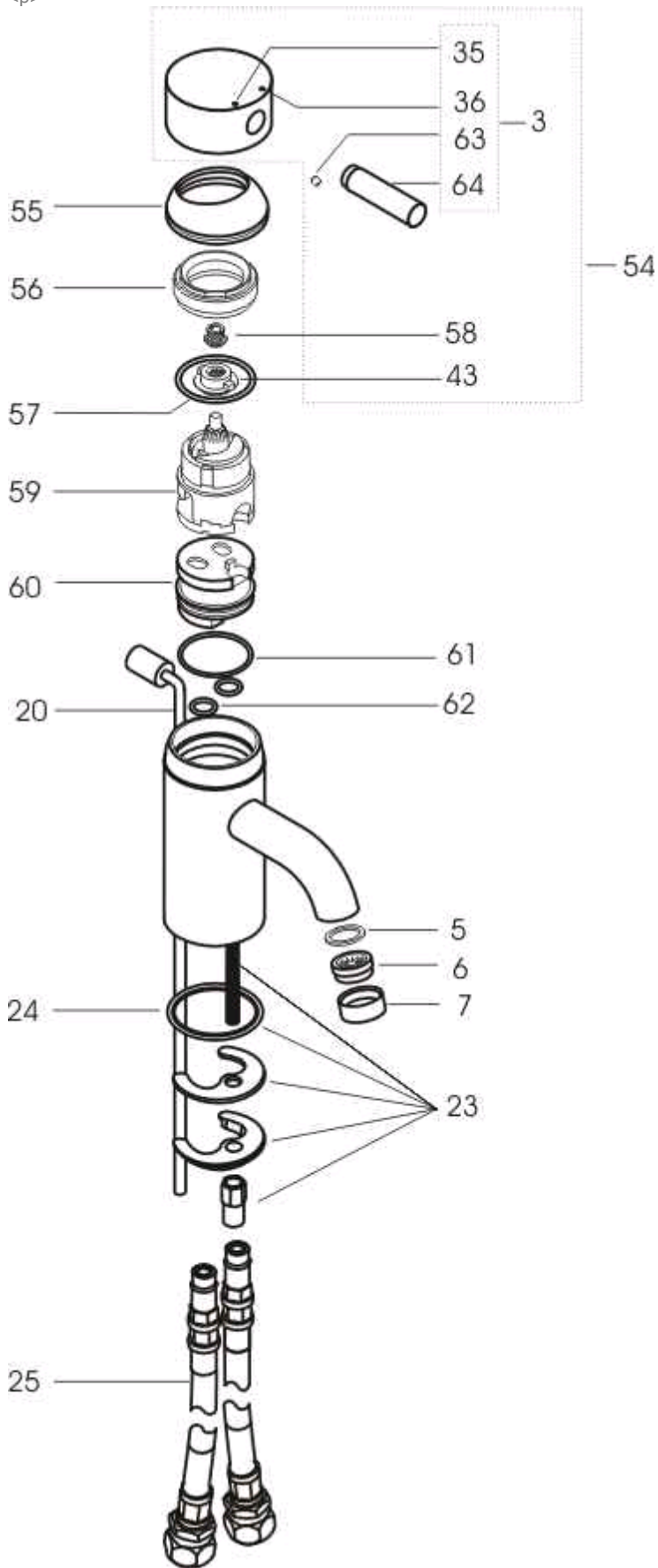


<p>



Ref.	Description	Part No.
3	-	-
5	RUBBER WASHER 1.6mm THICK	-
6	FLOW STRAIGHTENER (M23 - till 2007)	E950655AA
6a	Aerator (suitable for post 2007 fittings)	A960386NU
6b	FLOW STRAIGHTENER M24 X 1 & KEY (New from 2007)	A960412NU
7	FLOW STNR HOUSING	E907001--
19	POP-UP KNOB	E908428AA11
20	POP-UP ROD	E960192NU
23	FIXING KIT	E950607NU
24	O'RING (BASE SEAL)	E912720NU
25	INLET HOSE	S960172NU
35/36	INDICATOR PIN PACK	S960059NU
43	DRIVE INSERT	E91810420
54	HANDLE COMPLETE	E960692AA
55	SHROUD	E907795AA
56	LOCKING NUT	A906068AT
57	O'RING (CARTRIDGE)	A962715NU
58	RETAINING NUT	E906002NU
59	SMALL MULTIPORT CARTRIDGE	A962985NU
59a	Crescent shaped temperature limit stop	A962984NU
60	PORT ADAPTOR	A904629
61	O'RING (PORT ADAPTOR BODY)	E960621NU
62	O'RINGS (PORT ADAPTOR BASE X2 OFF)	93084900
63	M4 GRUB SCREW S/S	E91830267
64	LEVER HANDLE PEG (CHROME)	E960042NU

NB -- colour/finish options

Chrome = AA
Gold = AZ
Ultra Steel = GN
