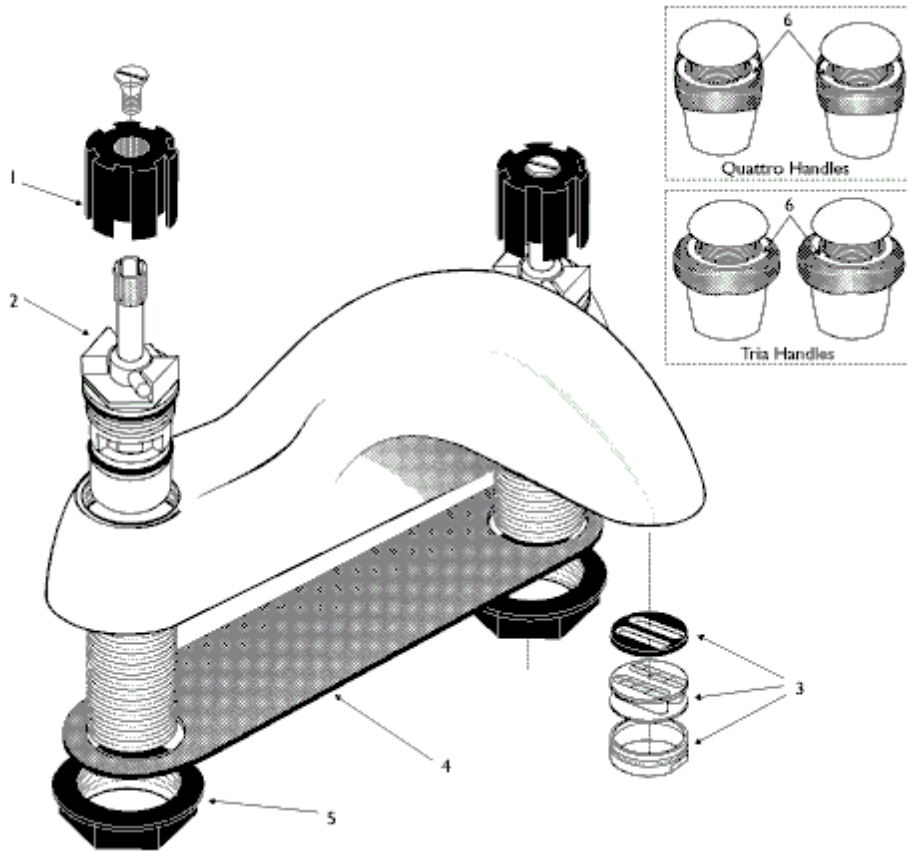


<p>



Ref.	Description
1	Handle carrier
2	SE CERAMIC DISC CARTRIDGES L/FR PAIR ** Spares **
2a	Valve - Hot-pre may 2001
2b	Valve -hot- after may 1st 2001
2c	valve Cold-pre may 2001
2d	valve cold-after may 2001
3a	Flow straightener complete - Chrome
3b	Flow straightener complete - Gold
4	Gasket
5	3/4" back nut
6R	Index ring RED
6B	Index ring BLUE
7	HANDLE SCREW M8XM4 QUATTRO

Part No.
A922539
S960023NU
A951961NU11
A954353NU11
A951960NU11
A954352NU11
A962978AA
A962978AZ
E960454NU
EESM40710067
E910031NU
E910030NU
E960609NU

NB -- colour/finish options

Chrome = AA
 Gold = AZ
 White = AC