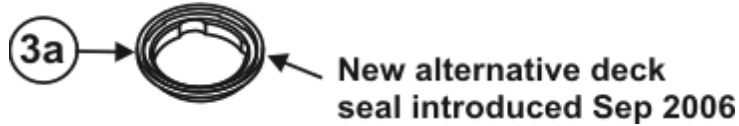
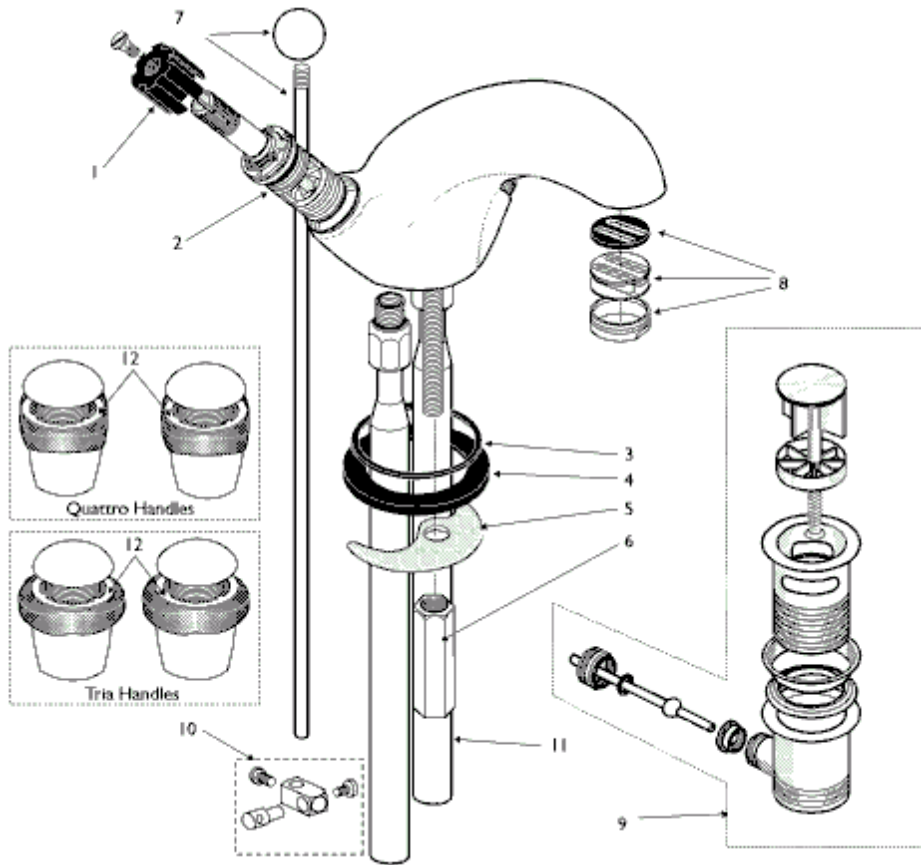


<p>



| Ref. | Description | Part No. |
|------|--|-----------|
| 1 | Handle carrier | A922539 |
| 2 | 1/2 SE CERAMIC DISC CARTRIDGES - PAIR ** SPARES ** | S960025NU |
| 2a | Valve - Hot | E960583NU |
| 2b | Valve - Cold | E960582NU |
| 3 | O ring washer | E960461NU |
| 3a | CENTRAL SEALING GASKET AD=42.5 | A961302NU |
| 4 | Fixing kit (3,4,5 & 6) | E950607NU |
| 7a | Pop-up knob | E960545AA |
| 7c | Pop-up rod | E919574-- |
| 8 | Flow straightener | A962974-- |
| 9 | Pop-up waste complete | E950612-- |
| 10 | Pop-up rod fixing clip | -- |
| 11 | Pair of M12 inlet tails complete with o-rings | E960517NU |
| 12R | Index ring RED | E910031NU |
| 12B | Index ring BLUE | E910030NU |
| 12a | HANDLE SCREW M8XM4 QUATTRO | E960609NU |
| 13 | Aero handles | E0725-- |

NB -- colour/finish options

Chrome = AA
 Gold = AZ
 Mixage = NP