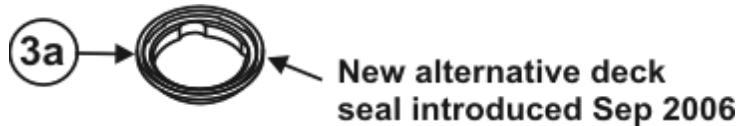
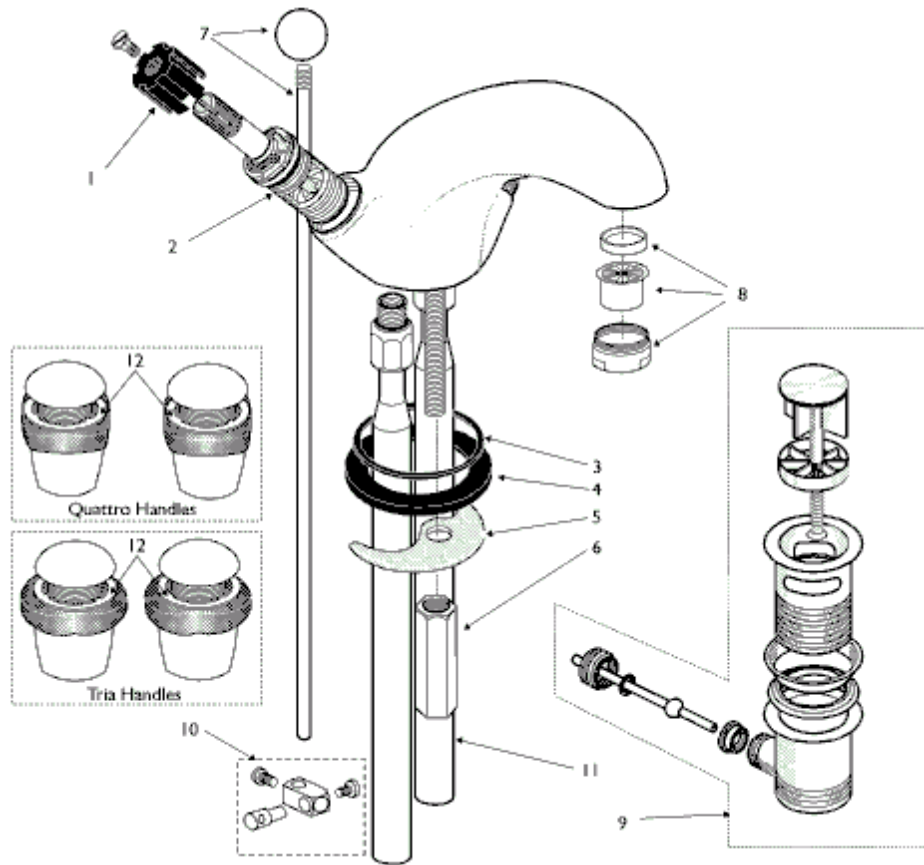


<p>



Ref.	Description	Part No.
1	Handle carrier	A922539
2	1/2 SE CERAMIC DISC CARTRIDGES - PAIR ** SPARES **	S960025NU
2a	Valve - Hot	E960583NU
2b	Valve - Cold	E960582NU
3	O' ring washer	E960461NU
3a	CENTRAL SEALING GASKET AD=42.5	A961302NU
4	Fixing kit (3,4,5 & 6)	E950607NU
7a	Pop-up knob	E960545AA
7c	Pop-up rod stainless steel for chrome	E919574--
8a	Flow straightener (low pressure)	E950655--
8b	Neoperl nozzle (high pressure)	A923787--
9	Pop-up waste complete	E950612--
10	Pop-up rod fixing clip	A963404NU
11	Pair of M12 inlet tails complete with o-rings	E960517NU
12R	Index ring RED	E910031NU
12B	Index ring BLUE	E910030NU
12a	HANDLE SCREW M8XM4 QUATTRO	E960609NU

**NB -- colour/finish options**

Chrome = AA  
 Gold = AZ  
 White = AC