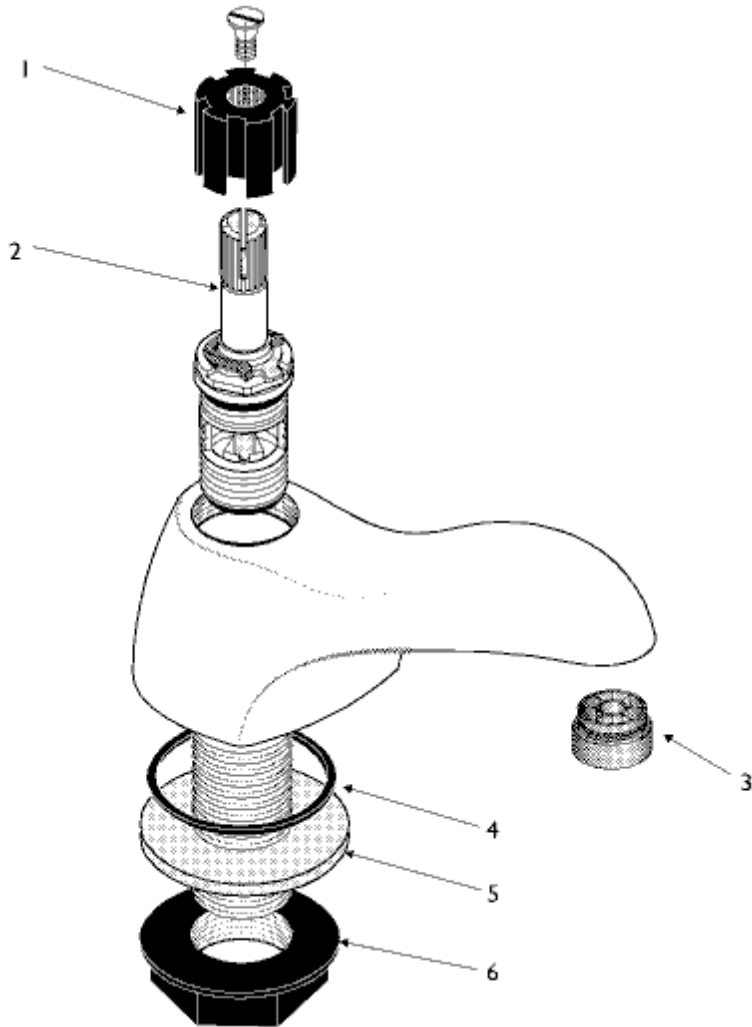


<p>



<b>Ref.</b>	<b>Description</b>
1	Handle carrier
2	1/2 SE CERAMIC DISC CARTRIDGES - PAIR ** SPARES **
2h	Valve - hot
2c	Valve - cold
3	1/2" flow straightener
4	1/2" `O' ring washer
5	1/2" anti rotation washer
6	1/2" back nut

<b>Part No.</b>
A922539
S960025NU
E960583NU
E960582NU
S961069NU
E960458NU
E960459NU
EESM40700067

**NB -- colour/finish options**

Chrome = AA  
 Gold = AZ  
 White = AC