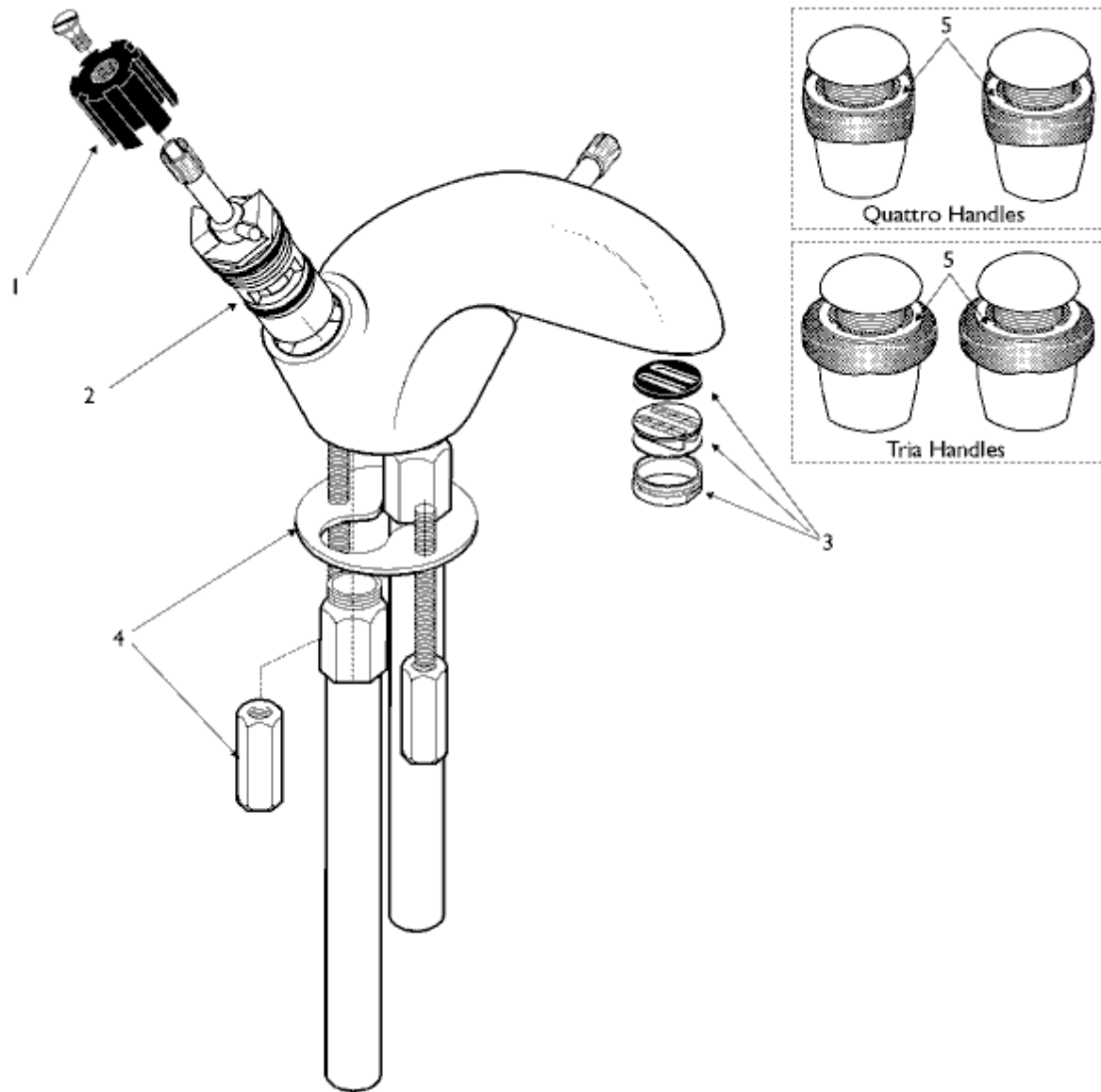


<p>



Ref.	Description
1	Handle carrier
2	SE C/D CARTRIDGES L/Friction - PAIR ** Spares ** post 2000
2a	Valve - Hot-pre may 2001
2b	Valve-hot-post may 2001
2c	Valve - Cold- pre may 2001
2d	Valve-Cold- post may 2001
3c	Flow straightener complete
4	Fixation kit complete
5R	Index ring RED
5B	Index ring BLUE
5a	HANDLE SCREW M8XM4 QUATTRO
6m	Axis metal handles in Mixage
6c	Axis metal handles in Chrome
6g	Axis metal handles in Gold
7	Axis index ring Blue
8	Axis index ring Red
9	Inlet tails: 15mm copper

Part No.
A922539
S960023NU
A951961NU11
A954353NU11
A951960NU11
A954352NU11
A962978--
E950646NU
E910031NU
E910030NU
E960609NU
E0745NP
E0745AA
E0745AZ
E910030NU
E910031NU
A960133NU

NB -- colour/finish options

Chrome = AA
 Gold = AZ
 White = AC

