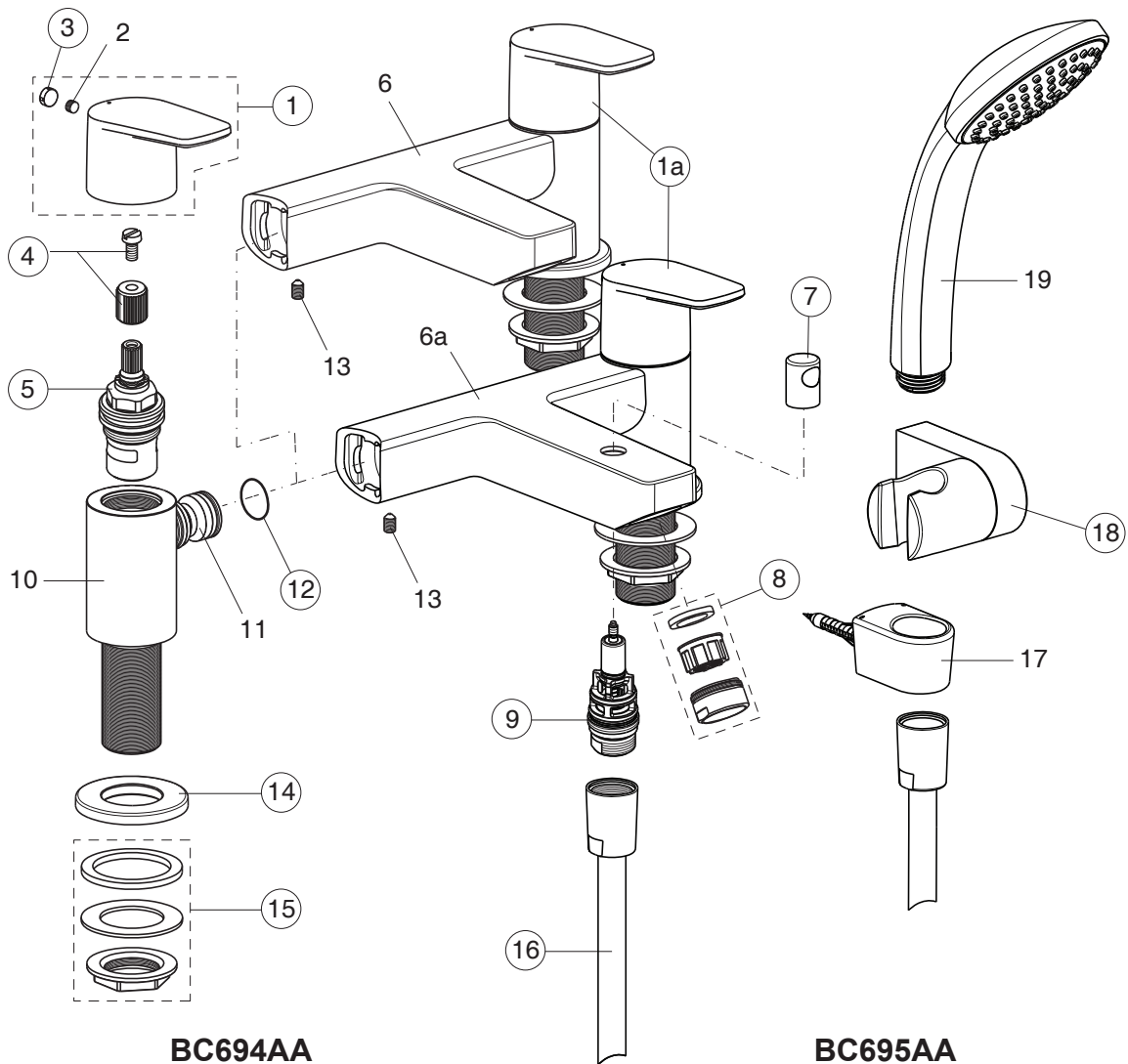




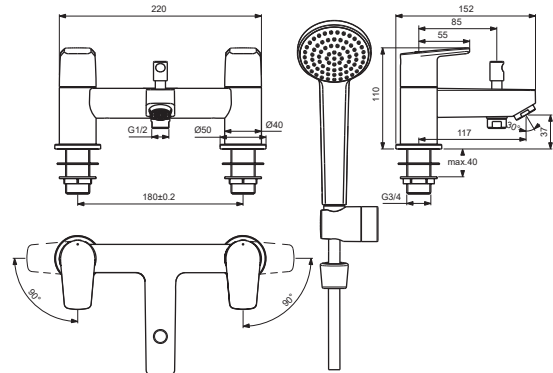
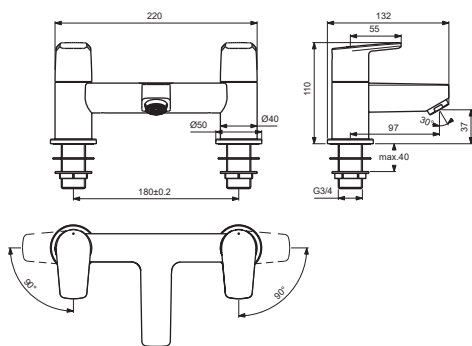
CERAFINE MODEL D

Ideal Standard



BC694AA

BC695AA



Pos.	Signify	Spare parts-Nr.	Quantity	Pos.	Signify	Spare parts-Nr.	Quantity
1	Handle(Red)-set	B961548AA	1 Pcs.	13	Screw M5x8		2 Pcs.
1a	Handle(Blue)-set	B961549AA	1 Pcs.	14	Rosette decorative	B961342AA	1 Pcs.
2	Screw M5x6		1 Pcs.	15	Connecting set	B960471NU	1 Set
3	Rubber cap Ø8.1x3	B960583NU	1 Pcs.	16	Flexible hose G1/2 /L1800	A963173NU	1 Pcs.
4	Handle adapter and screw	A861446NU	1 Set	17	Shower hose bracket		1 Pcs.
5	Ceramic valve G3/4,90°-RH	A861247NU	1 Pcs.	18	Wall bracket	B960925AA	1 Pcs.
	Ceramic valve G3/4,90°-LH	A861246NU	1 Pcs.	19	Handspray 1F,80mm		1 Pcs.
6;6a	Body bath/shower		1 Pcs.				
7	Pull knob	B960486AA	1 Pcs.				
8	Nozzle	A961625AA	1 Pcs.				
9	Diverter manual	B960166AA	1 Pcs.				
10	Body,w/connector G3/4		2 Pcs.				
11	Nipple		2 Pcs.				
12	O-Ring Ø16x2.5	A961326NU	2 Pcs.				