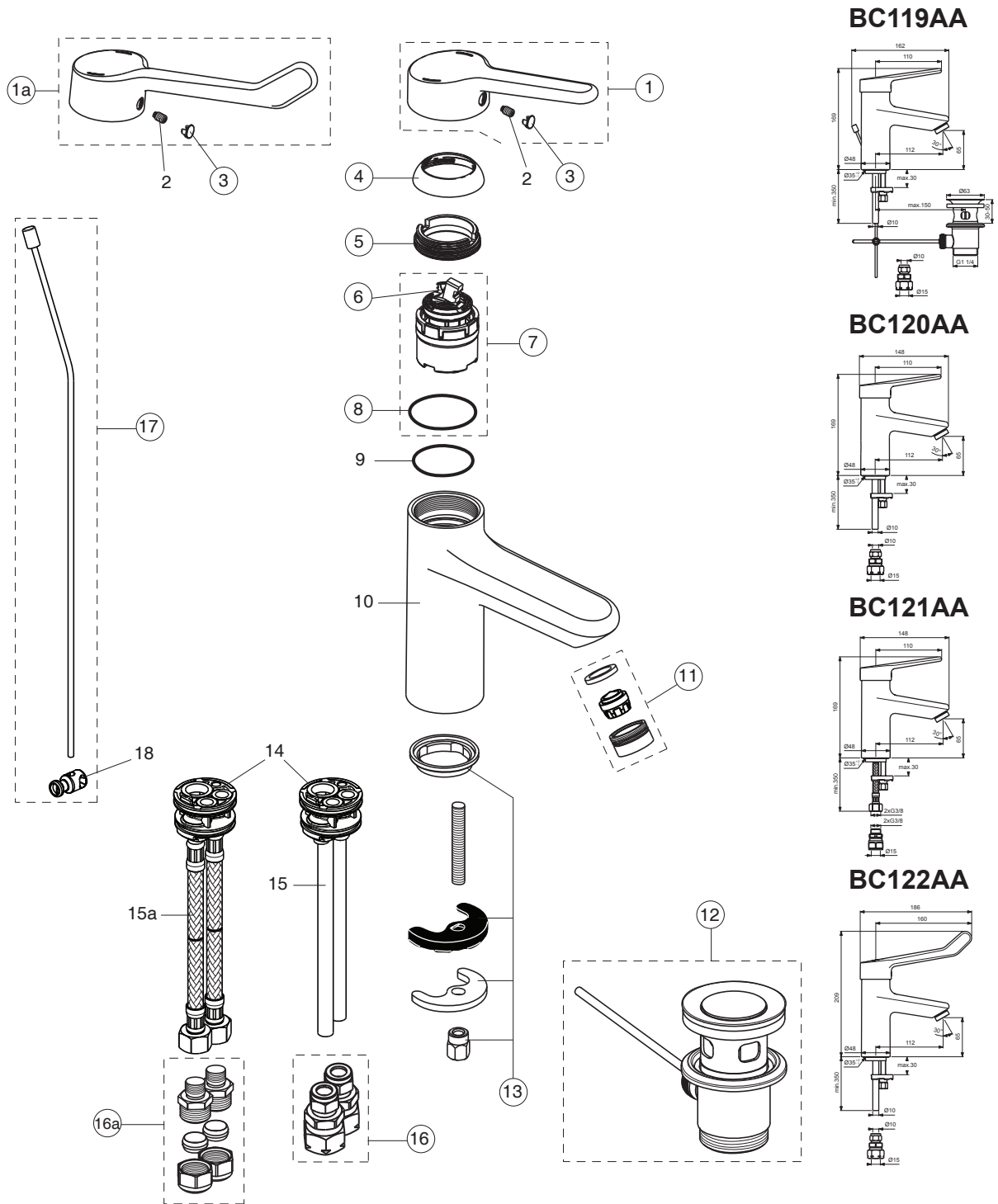


CONTOUR 21+

Armitage
Shanks



Pos.	Signify	Spare parts-Nr.	Quantity	Pos.	Signify	Spare parts-Nr.	Quantity
1	Lever, w/logo-set	B961439AA	1 Pcs.	14	Manifold		1 Pcs.
1a	Lever, w/logo-medical	B961448AA	1 Pcs.	15	Copper tube 10.5x10x440		2 Pcs.
2	Screw M5x8		1 Pcs.	15a	Flex pexhose G3/8- Ø10.5/L445		2 Pcs.
3	Cap decorative	B960473AA	1 Pcs.	16	Inlet adaptors 10x15mm	A963289NU	1 Pcs.
4	Cap M38x1.5	B961438AA	1 Pcs.	16a	Connector G3/8, Ø15	B960845NU	1 Set
5	Screw M41x1.5/M38x1.5	B961374NU	1 Pcs.	17	Pop up waste-compl.	B961384AA	1 Pcs.
6	Hot limit stop	A861181NU	1 Pcs.	18	Pop up waste shackle		1 Pcs.
7	Cartridge Ø38mm	A861156NU*	1 Set				
8	O-Ring Ø38x2.5	E960059NU*	1 Set				
9	O-Ring Ø34x2		1 Pcs.				
10	Body basin		1 Pcs.				
11	Aerator M24x1-4.7 l/min	B960859AA	1 Pcs.				
12	Pop-up drain ass.	A962991AA	1 Pcs.				
13	Connecting set	A964520NU	1 Set				

*Universal set (not all parts needed)