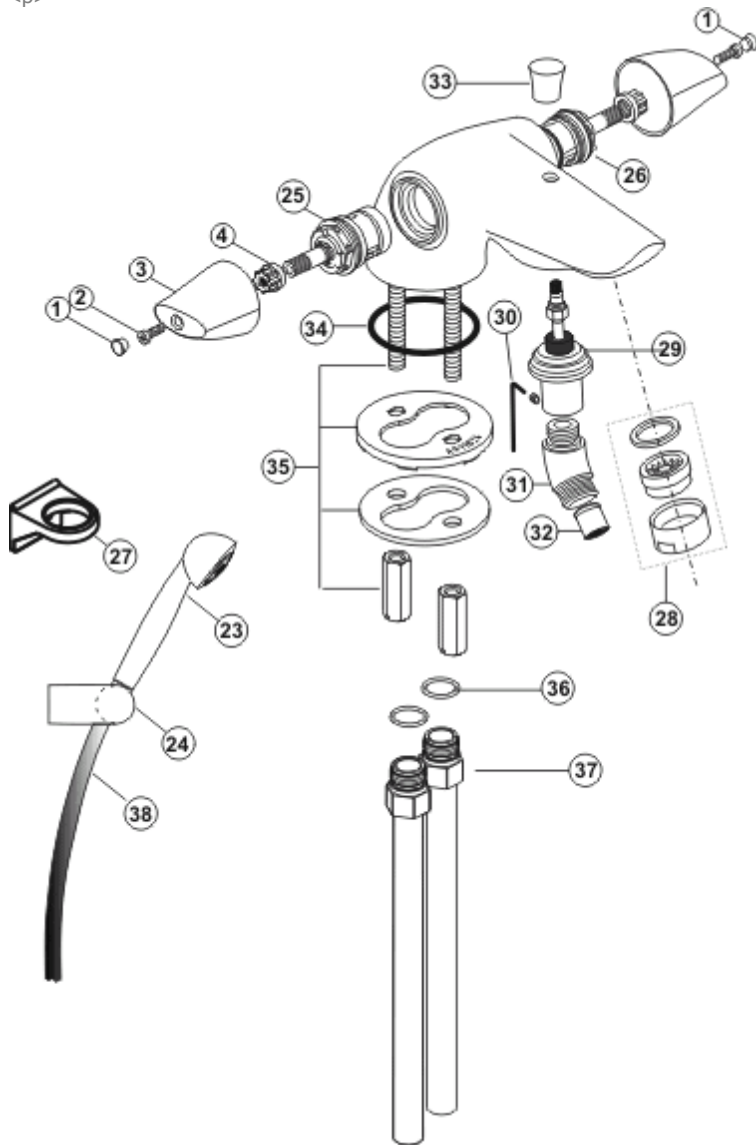


<p>



Ref.	Description	Part No.
1a	Red index button	B960516NU
1b	Blue index button	B960517NU
2	Screw M4 x 12mm	B960599NU
3	Ceraplan Duo handle	B960598AA
4	Drive insert	E960053NU
23	Shower handspray	B950791AA11
24	Showering station	S960164AA
25	3/4" I-S rubber valve int. h'work c/w M4 taper screw	A951645NU11
27	Shower hose restraining bracket	EEM134901AA
28	Flow straightener, 1-hole bath fittings	A910210AA
29	Divertor, 1-hole bath/shower mixer	E960455AA
30	Allen key	E960147NU
31	135° elbow	E921659AA11
32	Check valve	A952849
33	Diverter knob	B960514AA
36	O-rings	A961182NU
37	Inlet tails 15mm copper	A960133NU
38	Shower hose, 1-hole mixer	A963173NU

NB -- colour/finish options

Chrome = AA

