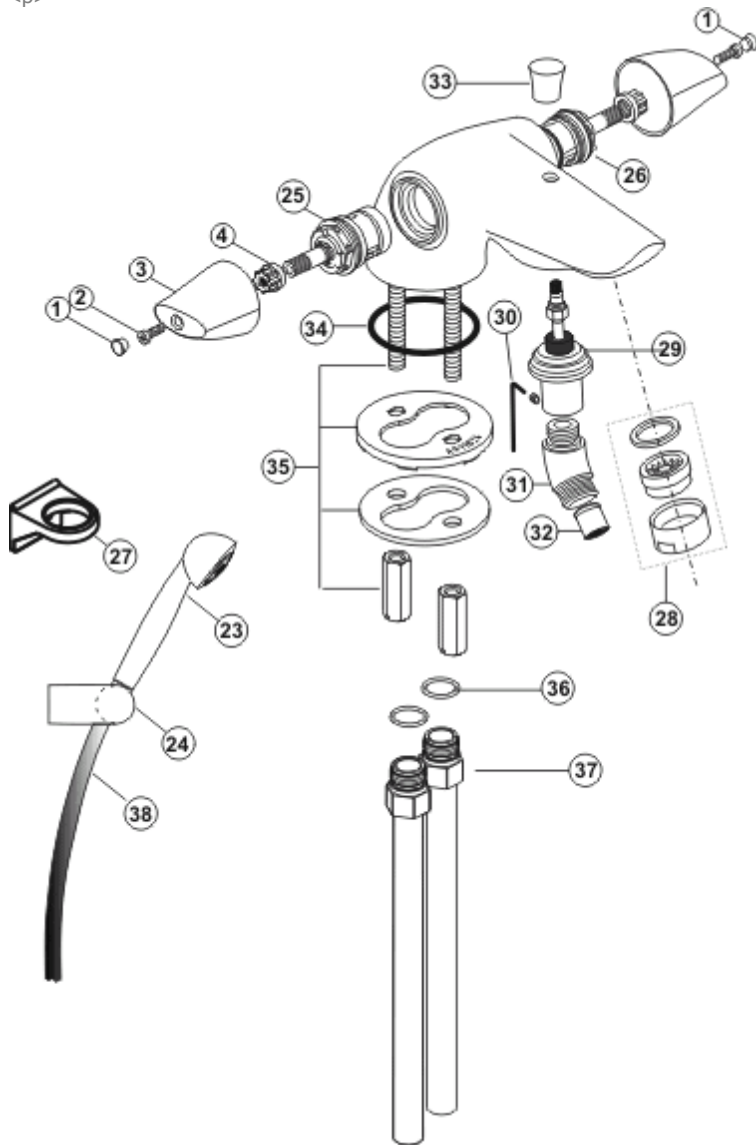


<p>



Ref.	Description
1a	Red index button
1b	Blue index button
2	Screw M4 x 12mm
3	Ceraplan Disc handle
4	Drive insert
23	Shower handspray
24	Showering station
25	3/4" SE Cartridge hot
26	3/4" SE Cartridge cold
27	Shower hose restraining bracket
28	Flow straightener, 1-hole bath fittings
29	Divertor, 1-hole bath/shower mixer
30	Allen key
31	135° elbow
32	Check valve
33	Diverter knob
34	Deck sealing o-ring
35	Fixing set, 1-hole bath fittings
36	O-rings
37	Inlet tails 15mm copper
38	Shower hose, 1-hole mixer

Part No.
B960516NU
B960517NU
B960599NU
B960597AA
E960053NU
B950791AA11
S960164AA
S960023NU
S960023NU
EEM134901AA
A910210AA
E960455AA
E960147NU
E921659AA11
A952849
B960514AA
-
A951515NU
A961182NU
A960133NU
A963173NU

NB -- colour/finish options

Chrome = AA

