

<p>

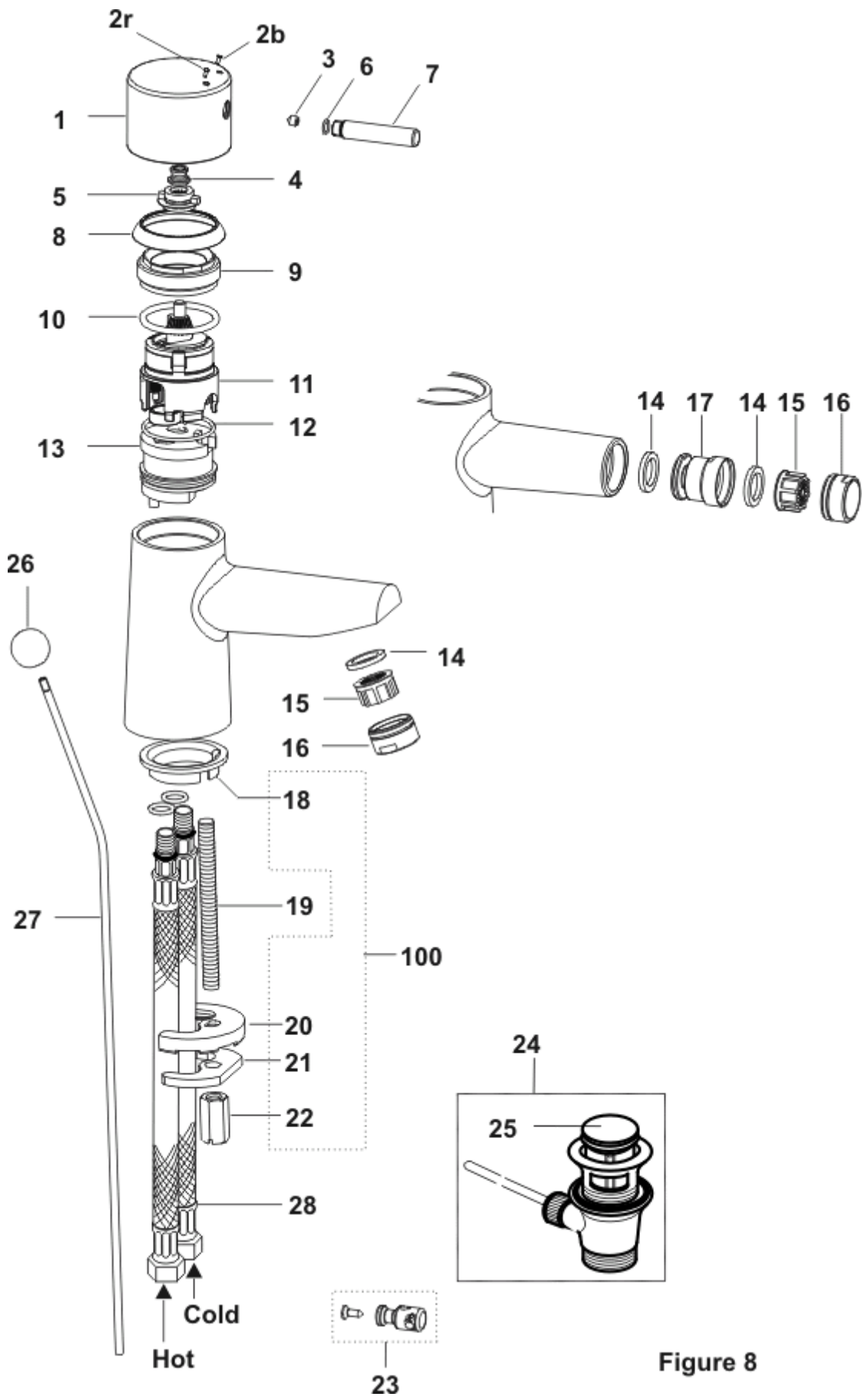


Figure 8

| <b>Ref.</b> | <b>Description</b>                     | <b>Part No.</b> |
|-------------|--|-----------------|
| 1           | Cone Basin SL Handle Body              | B960304AA       |
| 2           | INDICATOR PIN PACK                     | S960059NU       |
| 3           | Grub screw                             | A963667NU       |
| 4           | Retaining nut                          | E906002NU       |
| 5           | Drive insert                           | E91810420       |
| 6           | Friction washer                        | B960303NU       |
| 7           | Handle pin                             | B960301AA       |
| 8           | Shroud                                 | B960298AA       |
| 9           | Cartridge retaining nut                | A961625AA       |
| 10          | Cartridge sealing o-ring               | A962715NU       |
| 11          | Multiport cartridge Small              | A962985NU       |
| 11a         | Crescent shaped temperature limit stop | A962984NU       |
| 12          | O-ring                                 | B912142         |
| 13          | Flow adapter                           | A904629         |
| 14          | Gasket                                 | -               |
| 15          | Flow straightener complete             | A961625AA       |
| 15a         | Aerater                                | A960321AA       |
| 16          | Flow straightener bezel                | -               |
| 17          | Bidet swivel                           | A960063AA       |
| 18          | Deck sealing gasket                    | A960123NU       |
| 19          | Fixing stud M8 x 92mm                  | B917018NU       |
| 20          | Friction washer                        | A911942         |
| 21          | Clamping plate                         | A923271         |
| 22          | Sleeve nut                             | A90609014       |
| 23          | Pop-up rod clamp                       | A963404NU       |
| 24          | Pop-up waste complete                  | E950612AA       |
| 25          | Pop-up plug & o-ring                   | A961226AA       |
| 26          | Pop-up knob                            | A909938AA11     |
| 27          | Pop-up rod                             | B950749AA       |
| 28          | FLEX.HOSE LINE G1/2A-M10X1I-330        | A960485NU       |
| 28a         | ADAPTOR FOR FLEX.HOSE M10X1            | A91811614       |
| 100         | Connection set (M8 stud not included)  | B960608NU       |

**NB -- colour/finish options**

Chrome = AA