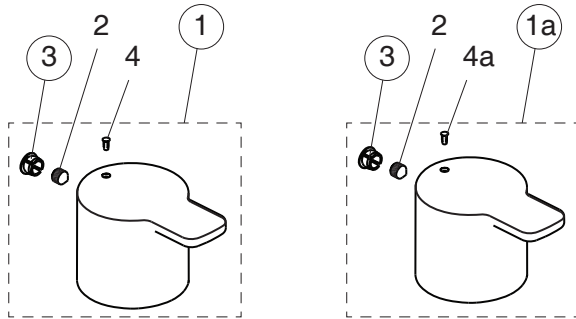
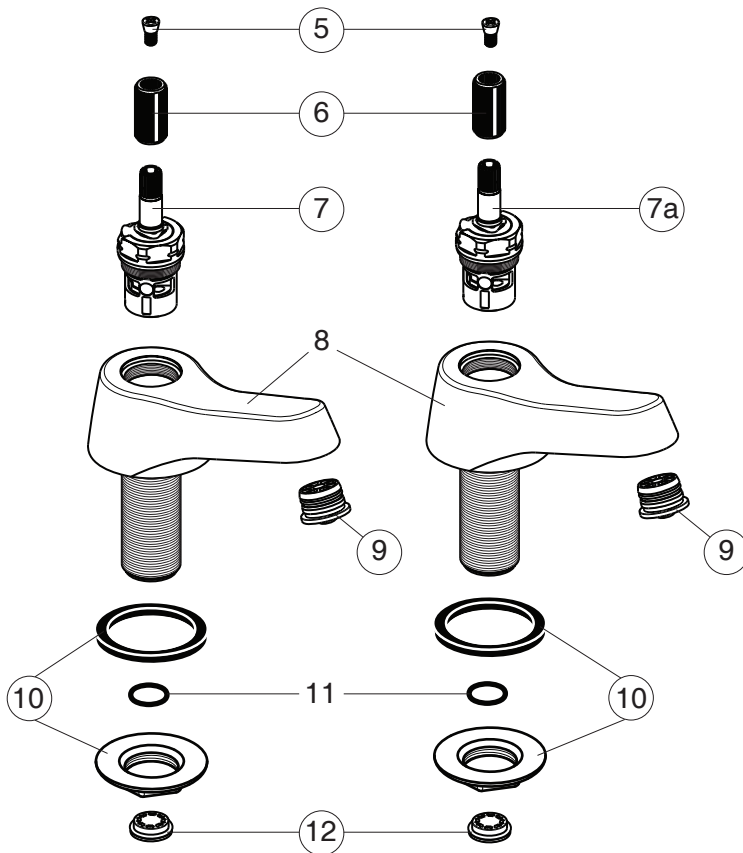
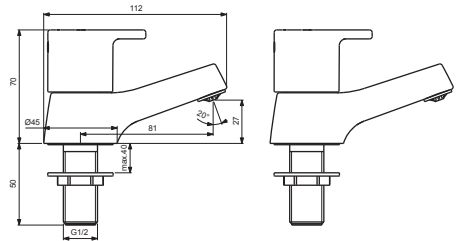


# SANDRINGHAM 21

*Armitage  
Shanks*



**B3304AA**



| Pos. | Signify                   | Spare parts-Nr. | Quantity | Pos.  | Signify                 | Spare parts-Nr. | Quantity |
|------|---------------------------|-----------------|----------|-------|-------------------------|-----------------|----------|
| 1    | Handle,w/logo-red         | B961412AA       | 1 Set    | 12+11 | Flow regulator 4 l/min. | A962570NU       | 1 Pcs.   |
| 1a   | Handle,w/logo-blue        | B961411AA       | 1 Set    |       |                         |                 |          |
| 2    | Screw M5x6                |                 | 2 Pcs.   |       |                         |                 |          |
| 3    | Block cap                 | A961157AA       | 1 Pcs.   |       |                         |                 |          |
| 4    | Indicator-red             |                 | 1 Pcs.   |       |                         |                 |          |
| 4a   | Indicator-blue            |                 | 1 Pcs.   |       |                         |                 |          |
| 5    | Screw M4                  | A961337NU       | 1 Pcs.   |       |                         |                 |          |
| 6    | Griff-insert              | A963196NU       | 2 Pcs.   |       |                         |                 |          |
| 7    | Cartridge G1/2,c/w open   | A963004NU       | 1 Pcs.   |       |                         |                 |          |
| 7a   | Cartridge G1/2,a-c/w open | A963003NU       | 1 Pcs.   |       |                         |                 |          |
| 8    | Body pillar tap G1/2      |                 | 2 Pcs.   |       |                         |                 |          |
| 9    | Flow straightener         | B960998NU       | 2 Pcs.   |       |                         |                 |          |
| 10   | Connecting group          | B960480NU       | 1 Set    |       |                         |                 |          |
| 11   | O-Ring Ø12.1x1.6          |                 | 2 Pcs.   |       |                         |                 |          |