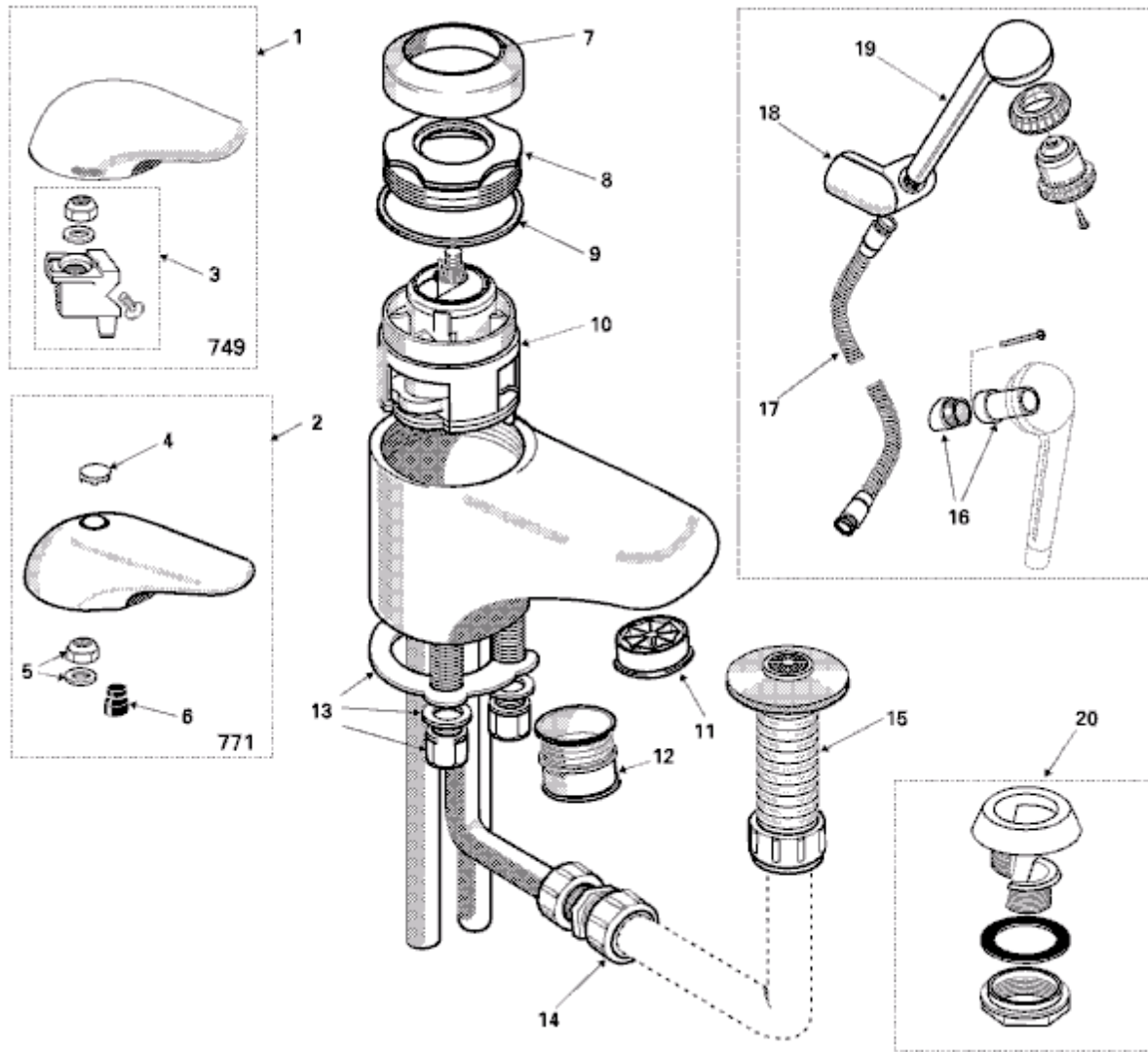


<p>



**Ref. Description**

**Part No.**

1	Ceramic handle complete (withdrawn - was E7490--)	-
2	Metal handle complete	E7710AA
3	Adaptor complete for ceramic handle	A953515NU
4	Index (Red/blue)	A963166LJ
5	Nut and washer for handle	A961974NU
6	Dash pot	A963053NU
7	Shroud	A963155--
8	Cartridge locking nut	A963156AA
9	'O' ring	E912769NU
10	Large multiport	A953190NU
11a	Flow straightener complete	A961039NU
11b	Large Neoperl	A960309--
12	Divertor complete	A963153AA
13	Fixing set	A963161NU
14	12/15mm adaptor	A963162NU
15	Rim mounted hose connector	A963164--
16	Resting station (WH)	A951441AC
17	Metal hose G1/2 X 1500MM (current production)	A961820AA
17a	1.35m hose (was E4745--)	-
17b	1.80m hose (was E919595--)	-
18	Showering station from May 2003	S960164AA
19	Handspray CP - SF Ideal Standard from May 2003 (old 99004563)	B950791AA11
20	Escutcheon	A953581--
20a	New style escutcheon (from mid 2006)	A961821AA
21	O-ring - for escutcheon retention	A962639NU
22	SHOWER HOSE BRACKET - CHROME	EEM134901AA
23	SHOWER HOSE BRACKET - WHITE	EEM13490001

**NB -- colour/finish options**

Chrome = AA  
 Light Gold = AZ  
 White = AC  
 White - 01  
 W/Peach = 07  
 I Ivory = 09  
 OEW = 97  
 W Cream = 98

---