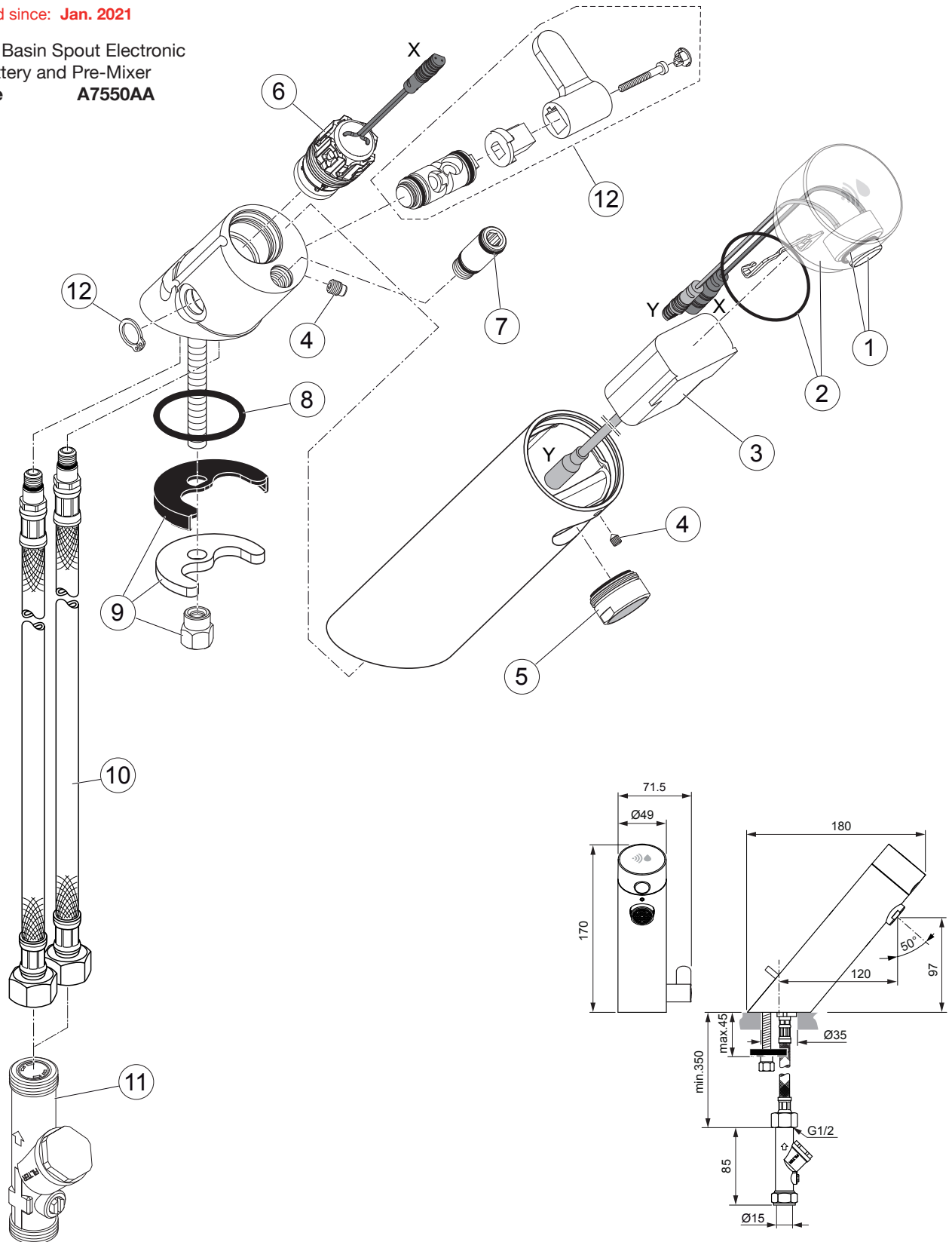


Produced since: **Jan. 2021**

Sensor Basin Spout Electronic  
with Battery and Pre-Mixer  
**Chrome A7550AA**



Pos.	Description	Part-Number	Qty.	Pos.	Description	Part-Number	Qty.
1	Sensor cpl. with O-ring	<b>A 861 523 NU</b>	1 Set	9	Fixation set	<b>A 960 401 NU*</b>	1 Set
2	Cover cap w. laser + O-ring	<b>A 861 524 AA</b>	1 Set	10	Flex. hose M10x1/400-G1/2	<b>A 960 505 NU</b>	1 pcs
3	Battery case	<b>F 961 038 NU*</b>	1 Set	11	Check valve/flow regulator	<b>E 960 613 NU</b>	2 Set
4	Battery 6V CR-P2	<b>A 960 161 NU</b>	1 pcs	12	Pre-Mixer cpl.	<b>A 861 527 AA</b>	1 Set
4	Thread pin set	<b>A 861 525 NU*</b>	1 Set	* Universal-Set (not all parts needed)			
5	Aerator M24x1 - 1 GPM	<b>A 861 526 AA</b>	1 pcs				
6	Solenoidvalve 6V G1/2	<b>F 961 050 NU*</b>	1 pcs				
7	O - ring Ø 12,42 x 1,78	<b>A 961 459 NU*</b>	1 Set				
8	O - ring Ø 36,2 x 2,62	<b>A 962 575 NU</b>	1 pcs				