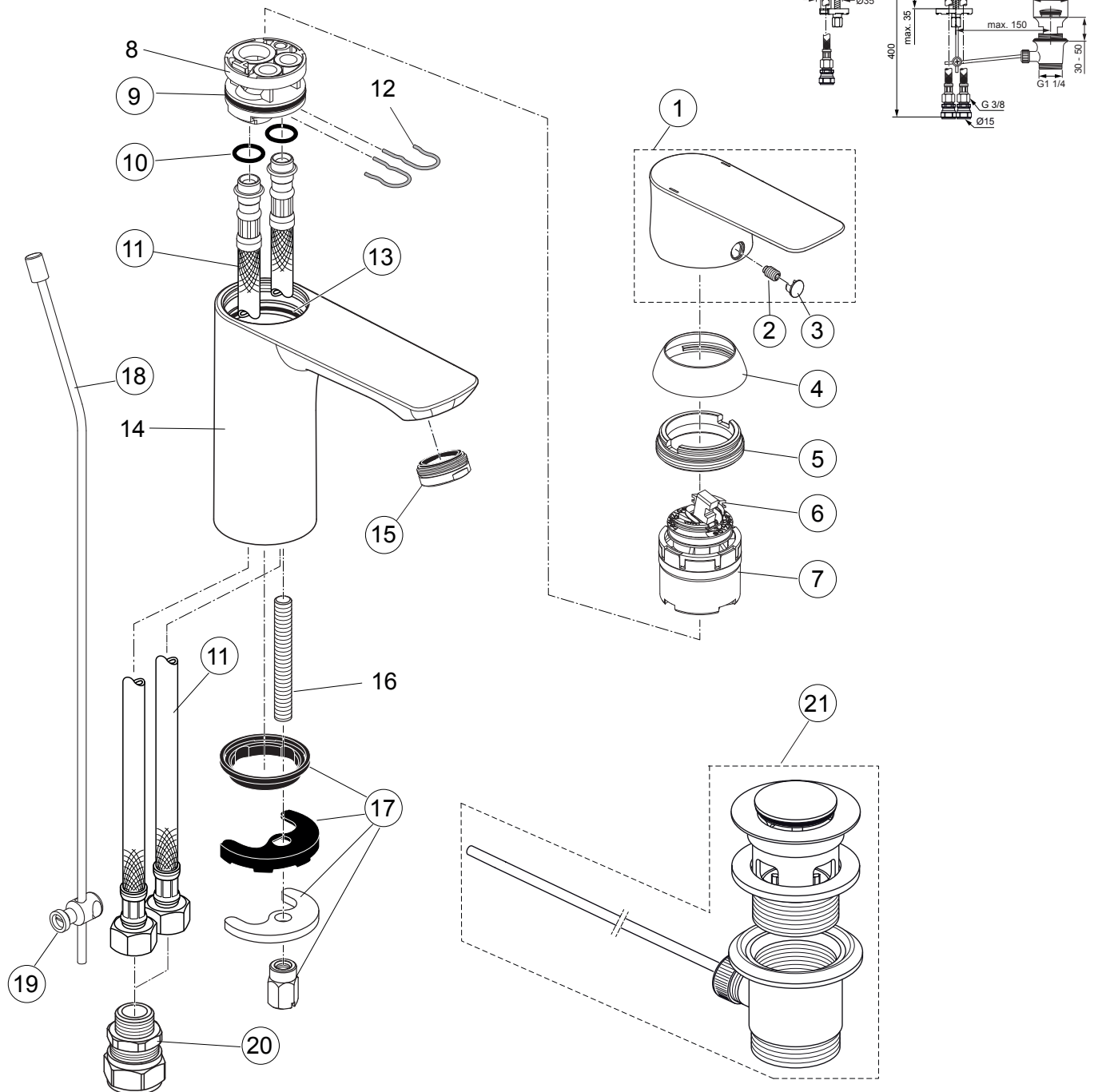


Produced since: **Aug. 2017**

SL basin mixer flex. hose  
with pop-up waste  
chrome **A7063AA**

without pop-up waste  
chrome **A7064AA**



| Pos. | Description                  | Part-Number          | Qty.  | Pos. | Description              | Part-Number          | Qty.  |
|------|------------------------------|----------------------|-------|------|--------------------------|----------------------|-------|
| 1    | Lever cpl. w. Logo ISI       | <b>A 861 230 AA</b>  | 1 Set | 13   | O - Ring Ø 38 x 2,5      | <b>E 960 059 NU*</b> | 1 Set |
| 2    | Thread pin M5x5 DIN916       | <b>A 963 309 NU</b>  | 1 Set | 14   | Body                     |                      |       |
| 3    | Handle plug                  | <b>A 860 473 AA</b>  | 1 pcs | 15   | Aerator M24x1 - 5ltr/min | <b>B 961 383 AA</b>  | 1 pcs |
| 4    | Cover cap                    | <b>B 961 373 AA</b>  | 1 pcs |      | Aerator M24x1 full flow  | <b>A 961 625 AA</b>  | 1 pcs |
| 5    | Thread ring M36x1 + Key      | <b>B 961 374 NU</b>  | 1 pcs | 16   | Bolt M8x63               |                      |       |
| 6    | Hot limit stop               | <b>A 861 181 NU</b>  | 1 pcs | 17   | Fixation kit             | <b>A 964 520 NU*</b> | 1 Set |
| 7    | Cartridge Ø38 + Pos.13,+ Key | <b>A 861 156 NU*</b> | 1 Set | 18   | Lift rod cpl. + Pos. 19  | <b>A 861 210 AA</b>  | 1 Set |
| 8    | Manifold                     |                      |       | 19   | Bracket                  | <b>A 961 172 NU</b>  | 1 pcs |
| 9    | O - Ring Ø 34 x 2            | <b>A 960 183 NU</b>  | 2 pcs | 20   | Connector G3/8 D15       | <b>B 960 845 NU</b>  | 2 pcs |
| 10   | O - Ring Ø 9,5 x 2,5         | <b>F 961 122 NU</b>  | 3 pcs | 21   | Pop-up waste complete    | <b>B 960 853 AA</b>  | 1 Set |
| 11   | Flex. hose Ø10,5-G3/8-445    | <b>A 962 359 NU</b>  | 1 pcs |      |                          |                      |       |
| 12   | Clip                         |                      |       |      |                          |                      |       |

\*Universal set (not all parts needed)