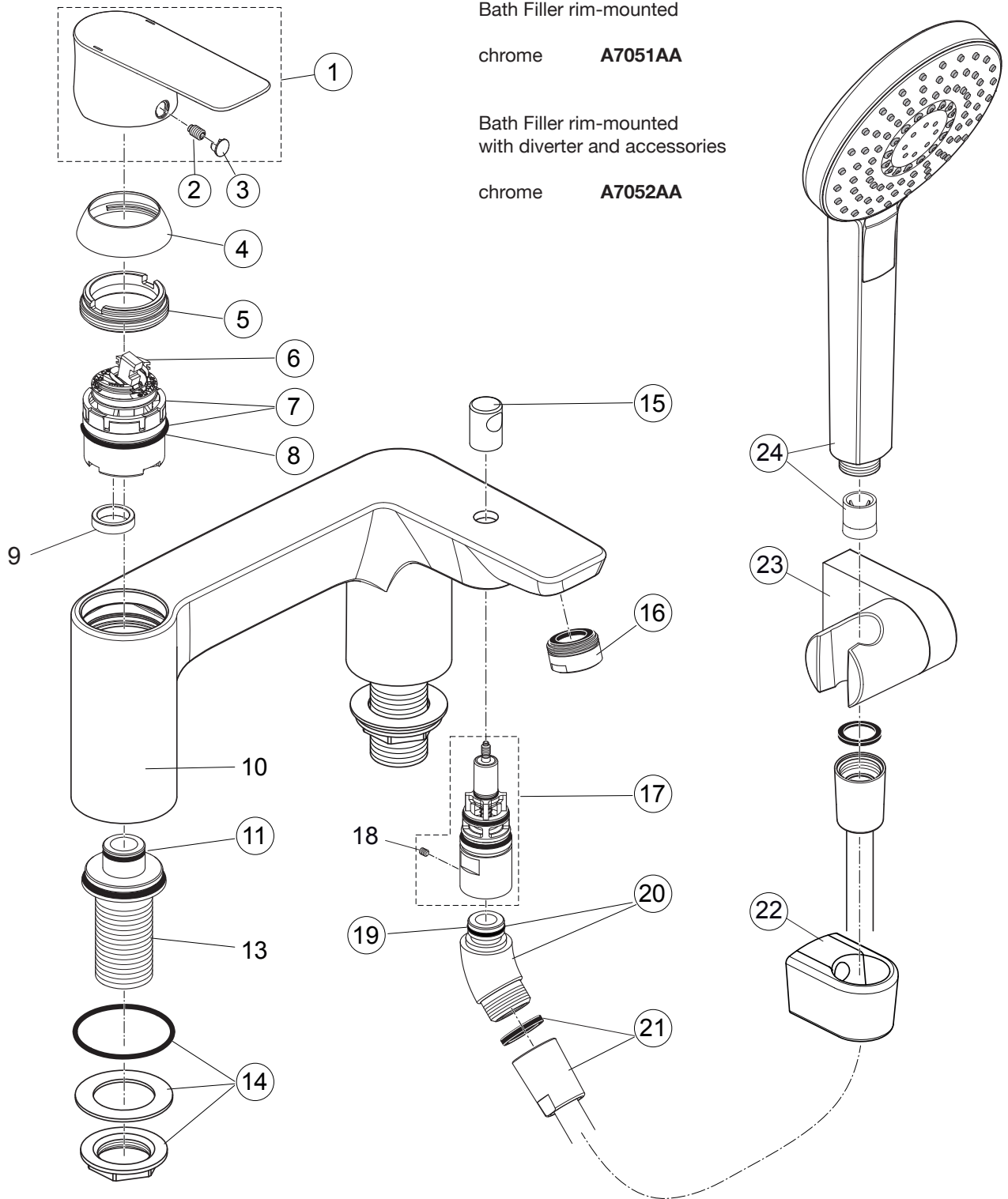


Produced since: **March 2018**



Bath Filler rim-mounted

chrome **A7051AA**

Bath Filler rim-mounted

with diverter and accessories

chrome **A7052AA**

Pos.	Description	Part-Number	Qty.	Pos.	Description	Part-Number	Qty.
1	Lever cpl. w. Logo ISI	<b>A 861 230 AA</b>	1 Set	14	Fixation-Set	<b>A 860 458 NU</b>	1 Set
2	Thread pin M5x5 DIN916	<b>A 963 309 NU</b>	1 Set	15	Pull knob	<b>B 960 486 AA</b>	1 pcs
3	Handle plug	<b>A 860 473 AA</b>	1 pcs	16	Aerator M24x1	<b>A 961 625 AA</b>	1 pcs
4	Cover cap	<b>B 961 373 AA</b>	1 pcs	17	Diverter complete	<b>A 861 286 AA</b>	1 pcs
5	Thread ring M36x1 + Key	<b>B 961 374 NU</b>	1 pcs	18	Thread pin M3x4 DIN 913		
6	Hot limit stop	<b>A 861 181 NU</b>	1 pcs	19	O - Ring Ø14 x 1,78	<b>A 962 605 NU</b>	2 pcs
7	Cartridge Ø38 + Pos.8, + Key	<b>A 861 156 NU*</b>	1 Set	20	Elbow for shower hose	<b>B 960 496 AA</b>	
8	O - Ring Ø 38 x 2,5	<b>E 960 059 NU*</b>	1 Set	21	Shower hose 1600mm	<b>A 3330 AA</b>	1 pcs
9	Support ring			22	Shower hose bracket	<b>B 1364 AA</b>	1 Set
10	Body (Bath filler)			23	Handshower holder	<b>B 960 925 AA</b>	1 pcs
11	O - Ring Ø 16 x 2	<b>A 861 285 NU</b>	1 pcs	24	Handspray Ø110-3F-8l/min	<b>B 2231 AA</b>	1 pcs
12	O - Ring Ø 31,47 x 1,78	<b>A 963 154 NU</b>	1 pcs				
13	Shaft G3/4						

\*Universal set (not all parts needed)