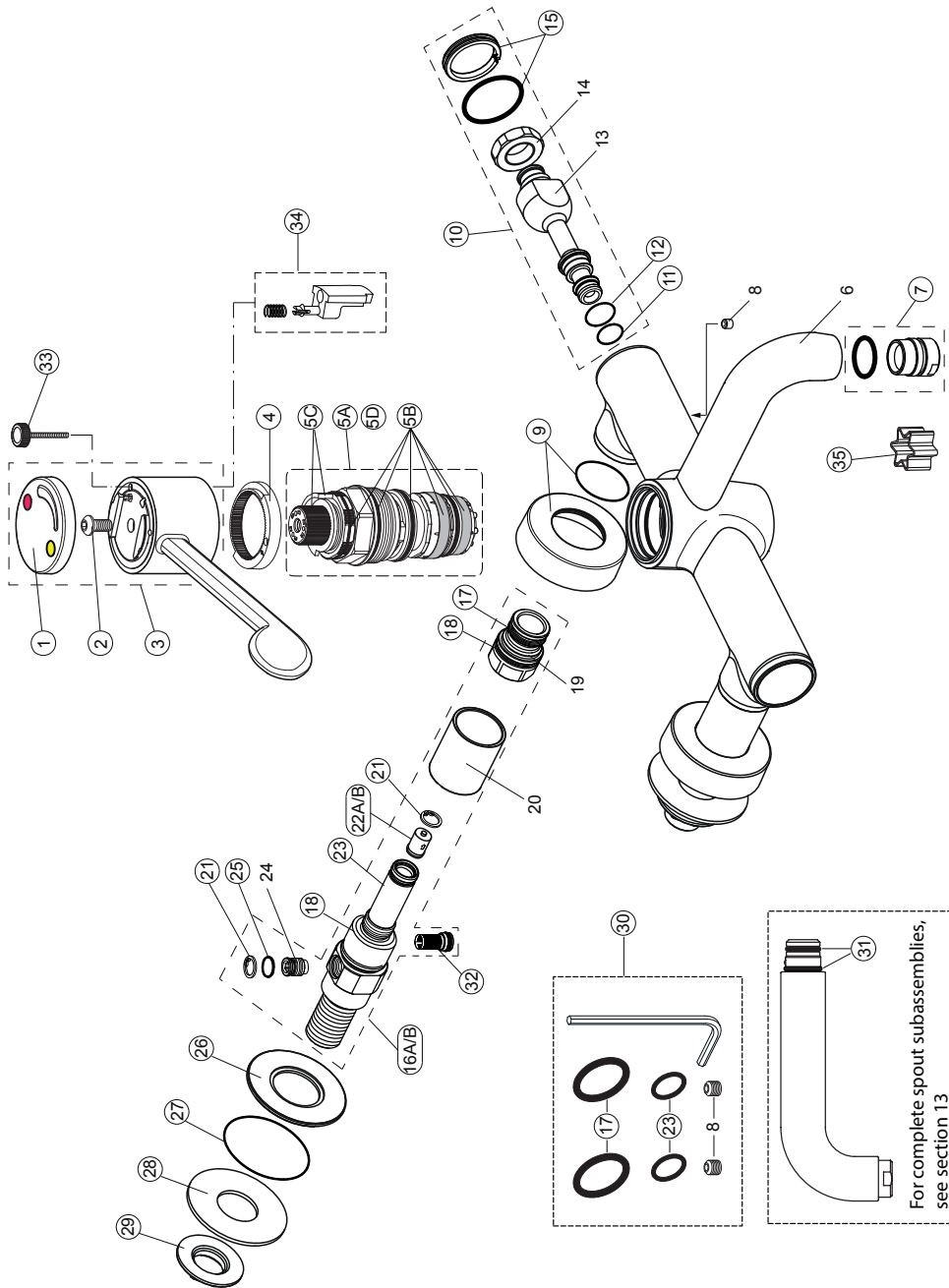


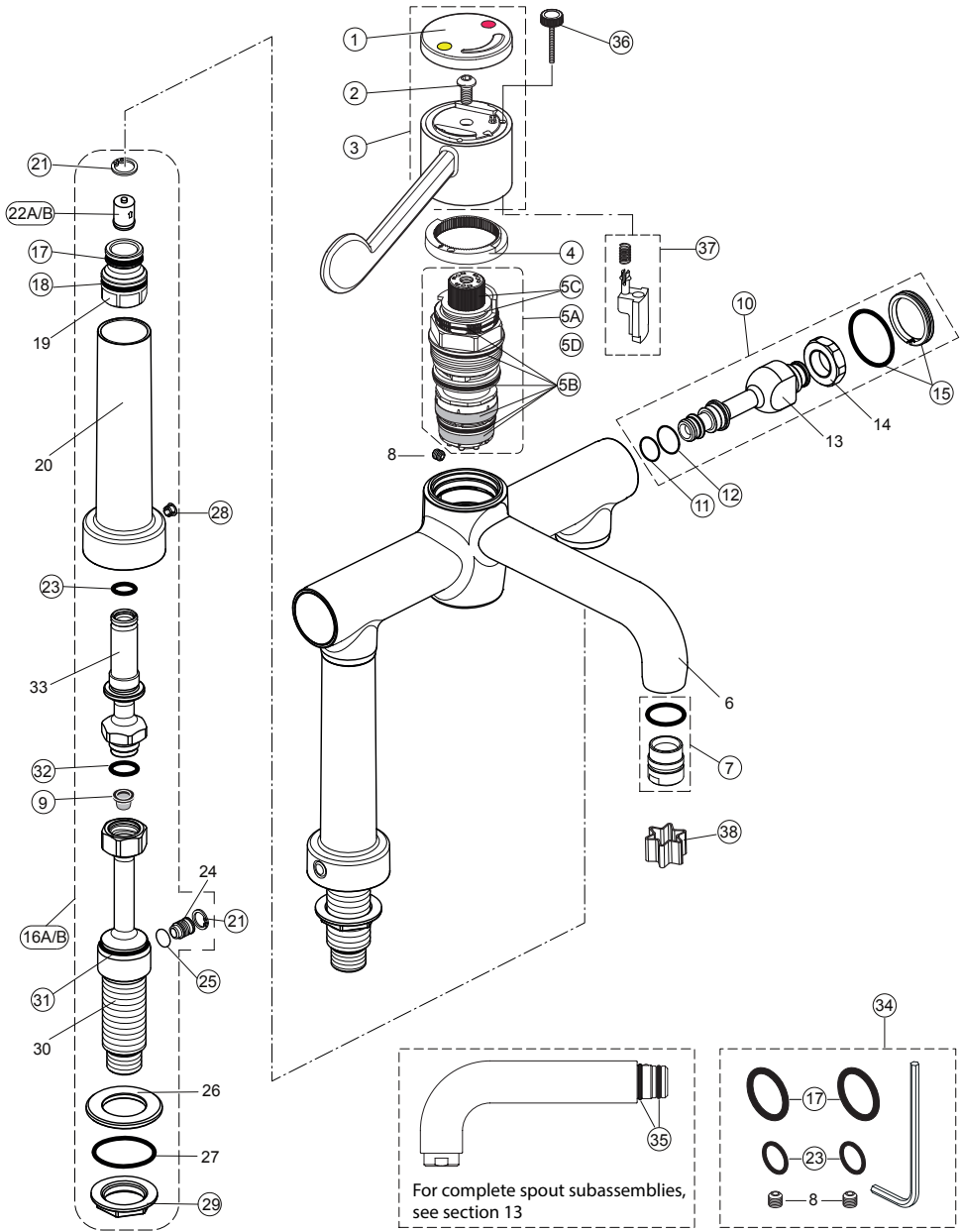
14 SPARE PARTS PANEL MOUNTED MIXER



15 SPARE PARTS LIST PANEL MOUNTED MIXER

Ref.	Description	Part No.
1	Cap	A861159AA
2	Handle screw	A961950NU
3	Handle SET	A861158AA
4	Stopring	A861122NU
5A	Sequential, thermostatic cartridge	A861123NU
5B	O - ring set thermostatic cartridge + strainer set	A861166NU
5C	Splined cap & splined locking ring -cartridge	A861310NU
5D	Thermostatic cartridge –one stop ring - box of 10 pieces	A861289NU
6	Body	--
7	Outlet	F960847AA
8	Screw (Available in 30 set)	--
9	Escutcheon + O-ring	A962346AA
10	Side sleeve cpl.	A861160NU
11	O - ring Ø 11 x 2	A960942NU
12	O - ring Ø 13 x 2	A861101NU
13	Sleeve	--
14	Threaded nut M18x1,5	--
15	Cap w. o - ring Ø 30 x 2	A861124NU
16A	Inlet Set, cold water	A861347AA
16B	Inlet Set, hot water	A861348AA
17	O-ring 17 x 2.5	A963143NU
18	O - ring Ø 24 x 2,5	A961809NU
19	Inlet insulator	--
20	Inlet Sleeve	--
21	Circlip (Pack contains 4x parts)	A861346NU
22A	Combined CV&FR Ø10mm, cold water (pink) right side	A861215NU
22B	Combined CV&FR Ø10mm, hot water (yellow) left side	A861216NU
23	O - ring Ø 12,42 x 1,78	A961332NU
24	Isolations plug	--
25	O-ring dia 8.1 x 1.6 (single) - (available within item 16)	A962345NU
26	Wall plate	E960633NU
27	O-ring Ø51 x 2.4	E960632NU
28	SLIP WASHER Ø60 X Ø25 X 2	E960631NU
29	Backnut	E960112NU
30	Demountable seal kit with grub screws, o-rings & hex key	A861162NU
31	O-ring Ø15 x 2.5	F961003NU
32	Strainer	A861172NU
33	Override tool	A860888NU
34	Disinfection interlock + spring	A861276NU
35	Brass flow straightener (star shape insert - optional)	S961044NU

16 SPARE PARTS DECK MOUNTED MIXER



17 SPARE PARTS LIST DECK MOUNTED MIXER

Ref.	Description	Part No.
1	Cap	A861159AA
2	Handle screw	A961950NU
3	Handle SET	A861158AA
4	Stopring	A861122AA
5A	Sequential, thermostatic cartridge	A861123NU
5B	O - ring set thermostatic cartridge + strainer set	A861166NU
5C	Splined cap & splined locking ring -cartridge	A861310NU
5D	Thermostatic cartridge –one stop ring - box of 10 pieces	A861289NU
6	Body	--
7	Outlet	F960847AA
8	Screw (Available in 30 set)	--
9	Strainer	F961032NU
10	Side sleeve cpl.	A861160NU
11	O - ring Ø 11 x 2	A960942NU
12	O - ring Ø 13 x 2	A861101NU
13	Sleeve	--
14	Threaded nut M18x1,5	--
15	Cap w. o - ring Ø 30 x 2	A861124NU
16A	Inlet Set, cold water	A861164AA
16B	Inlet Set, hot water	A861349AA
17	O - ring 17 x 2.5	A963143NU
18	O - ring Ø 24 x 2,5	A961809NU
19	Inlet insulator	--
20	Escutcheon	--
21	Circlip (Pack contains 4x parts)	A861346NU
22A	Combined CV&FR Ø10mm, cold water (pink) right side	A861215NU
22B	Combined CV&FR Ø10mm, hot water (yellow) left side	A861216NU
23	O - ring Ø 12,42 x 1,78	A961332NU
24	Isolations plug	--
25	O - ring dia 8.1 x 1.6	A962345NU
26	Deck Plate	--
27	O-ring Ø51 x 2.4	E960632NU
28	Indice	A960396AA
29	Backnut	E960111NU
30	Bottom deck inlet	E960631NU
31	O - ring Ø24 x 2	A961809NU
32	O - ring Ø15,6 x 1,78	A963916
33	Top deck inlet	--
34	Demountable seal kit with grub screws, o-rings & hex key	A861162NU
35	O - ring Ø15 x 2.5	F961003NU
36	Override tool	A860888NU
37	Disinfection interlock + spring	A861276NU
38	Brass flow straightener (star shape insert - optional)	S961044NU