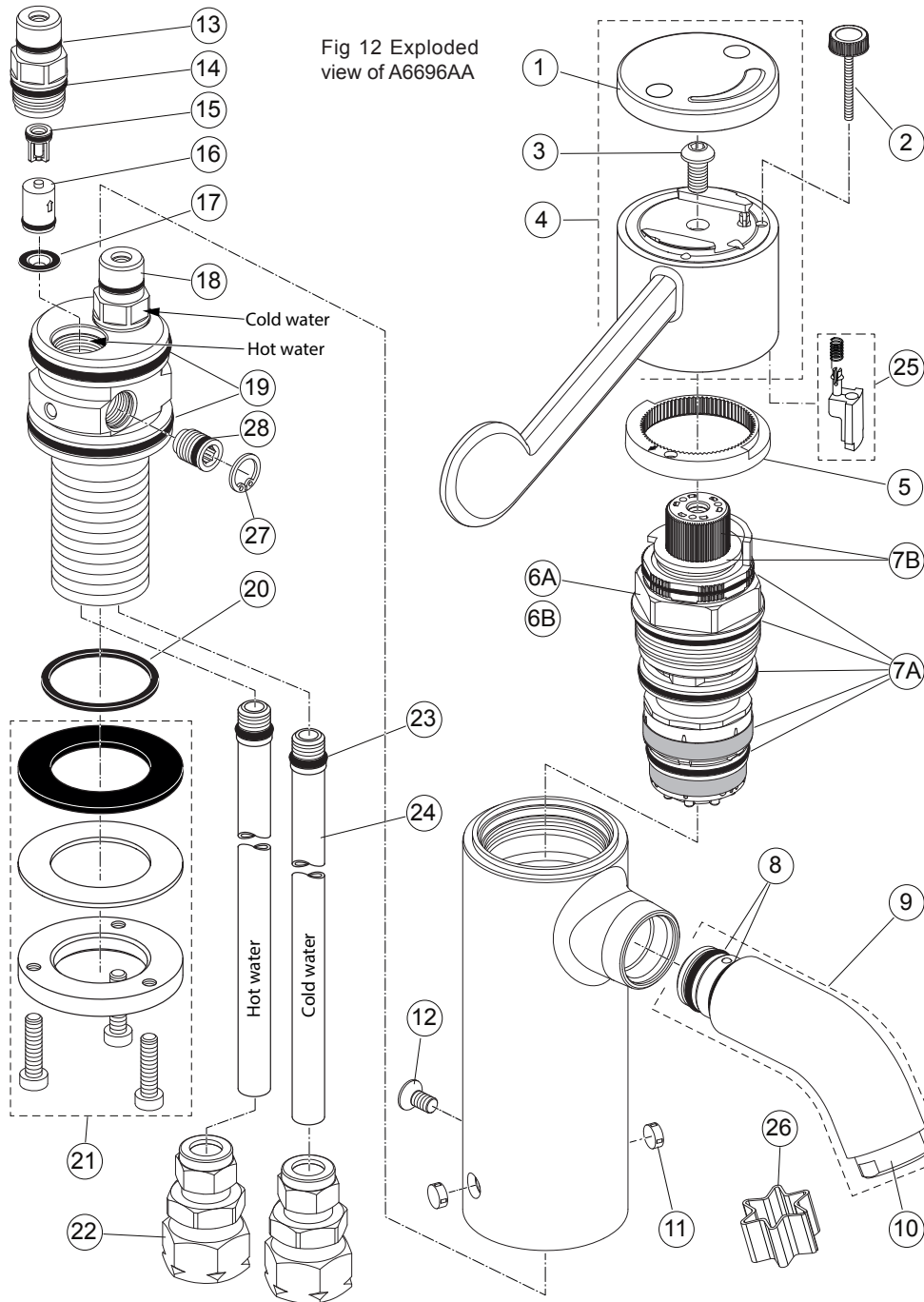


12 SPARE PARTS A6696AA



13 SPARE PARTS LIST

Ref.	Description	Part No.
1	Cap for handle - Armitage Shanks	A861159AA
2	Tool for thermal override M3x30	A860888NU
3	Handle retaining screw M5x10	A961950NU
4	Lever handle SET, including cap & screw	A861184AA
5	Stop ring (lower ring for temperature adjustment)	A861122NU
6A	Thermostatic cartridge with one stop ring	A861123NU
6B	Thermostatic cartridge –one stop ring - box of 10 pieces	A861289NU
7A	O-ring & strainer SET for thermostatic cartridge	A861166NU
7B	Splined cap & splined locking ring -cartridge	A861310NU
8	O-ring Ø15x2.5 (for removable spout) PAIR	F961003NU
9	Spout removable SET, including O-rings & Bioguard outlet	A861185AA
10	Armitage Bioguard outlet, including O-ring	F960847AA
11	Grommet Ø8.1x3 single	B960583NU
12	Body retaining screw M5x10	A861186NU
13	O-ring for Ø11x1,5 check valve housing	A962218NU
14	O-ring for Ø14x1,78 check valve housing,pair	A962605NU
15	Safety check valve Ø8mm, single	A962099NU
16	Combined CV&FR Ø10mm, cold water (pink)	A861215NU
16b	Combined CV&FR Ø10mm, hot water (yellow)	A861216NU
17	Strainers, pair	A861187NU
18	Inlet connector CV&FR cpl., cold water	A861188NU
18b	Inlet connector CV&FR cpl., hot water	A861218NU
19	O-ring SET for demountable base	A861189NU
20	Sealing ring	F960185NU
21	M30 Clamping kit & seal, set	A861190NU
22	Coupler straight – 10 to 15mm pipe, single	A963289NU
23	O-rings Ø8x1.88, pair	A963306NU
24	Copper inlet pipe M10 with O-rings (single)	B960459NU
25	Disinfection interlock + spring	A861276NU
26	Brass flow straightener (star shape insert - optional)	S961044NU
27	Circlip (Pack contains 4x parts)	A861346NU
28	O-Ring dia 8.1 x 1.6 (single)	A962345NU



For more information on spare parts why not visit our spare website:
www.fastpart-spares.co.uk
 or contact customer care