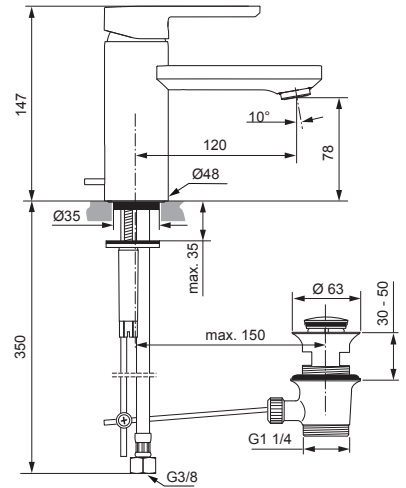
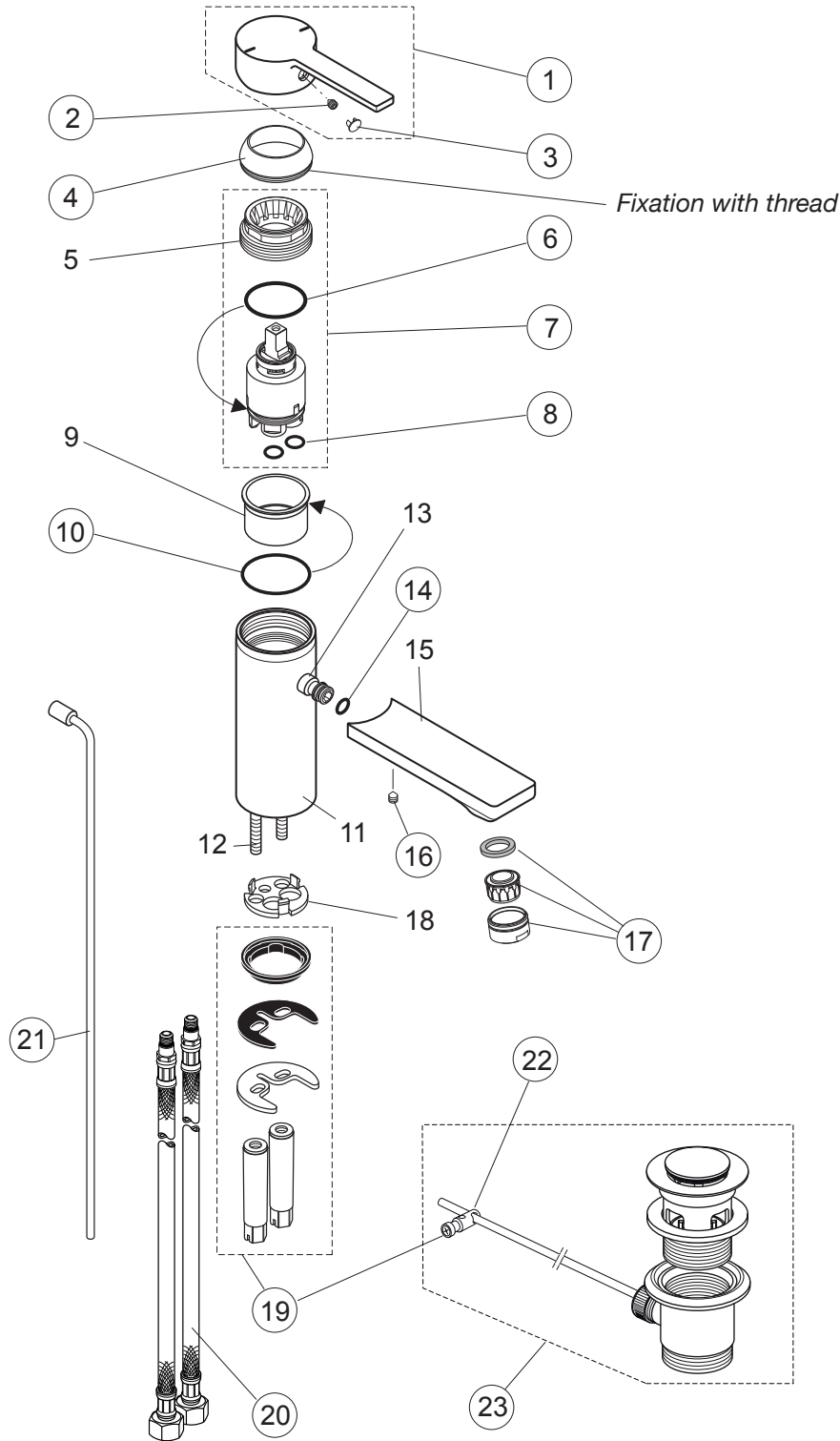


Produced from: April. 2015



**SL basin mixer,**  
with pop-up waste  
chrome **A6505AA**

without pop-up waste  
chrome **A6506AA**

Pos.	Description	Part-Number	Qty.	Pos.	Description	Part-Number	Qty.
1	Lever cpl. with red/blue	<b>A 960 717 AA</b>	1 Set	13	Nipple for spout connector		
2	Thread pin M5x6 DIN914	<b>A 860 603 NU</b>	1 pcs	14	O-ring Ø 8,1 x 1,6	<b>A 962 345 NU</b>	1 pcs
3	Handle cap	<b>B 960 473 AA</b>	1 pcs	15	Spout		
4	Cover cap M43 x 1,5	<b>A 960 731 AA</b>	1 pcs	16	Thread pin M5x5 DIN 914	<b>A 960 729 NU</b>	1 pcs
5	Clamping nut M43 x 1,5			17	Aerator M24x1 -A-	<b>A 860 050 AA</b>	1 Set
6	O-ring Ø 28,3 x 1,78	<b>A 860 818 NU</b>	2 pcs	18	Guide washer		
7	Cartridge complete	<b>A 960 733 NU</b>	1 Set	19	Fixation kit	<b>A 860 610 NU</b>	1 Set
8	O-ring Ø 9,25 x 1,78	<b>A 963 395 NU</b>	2 pcs	20	Flex. hose M10x1 / G3/8	<b>A 963 600 NU</b>	1 pcs
9	Cartridge sleeve			21	Lift rod	<b>A 960 737 AA</b>	1 pcs
10	O-ring Ø 38 x 2	<b>A 961 114 NU</b>	1 pcs	22	Bracket	<b>A 963 404 NU</b>	1 pcs
11	Body			23	Pop-up waste complete	<b>A 961 230 AA</b>	1 Set
12	Bolt M6 x 102						