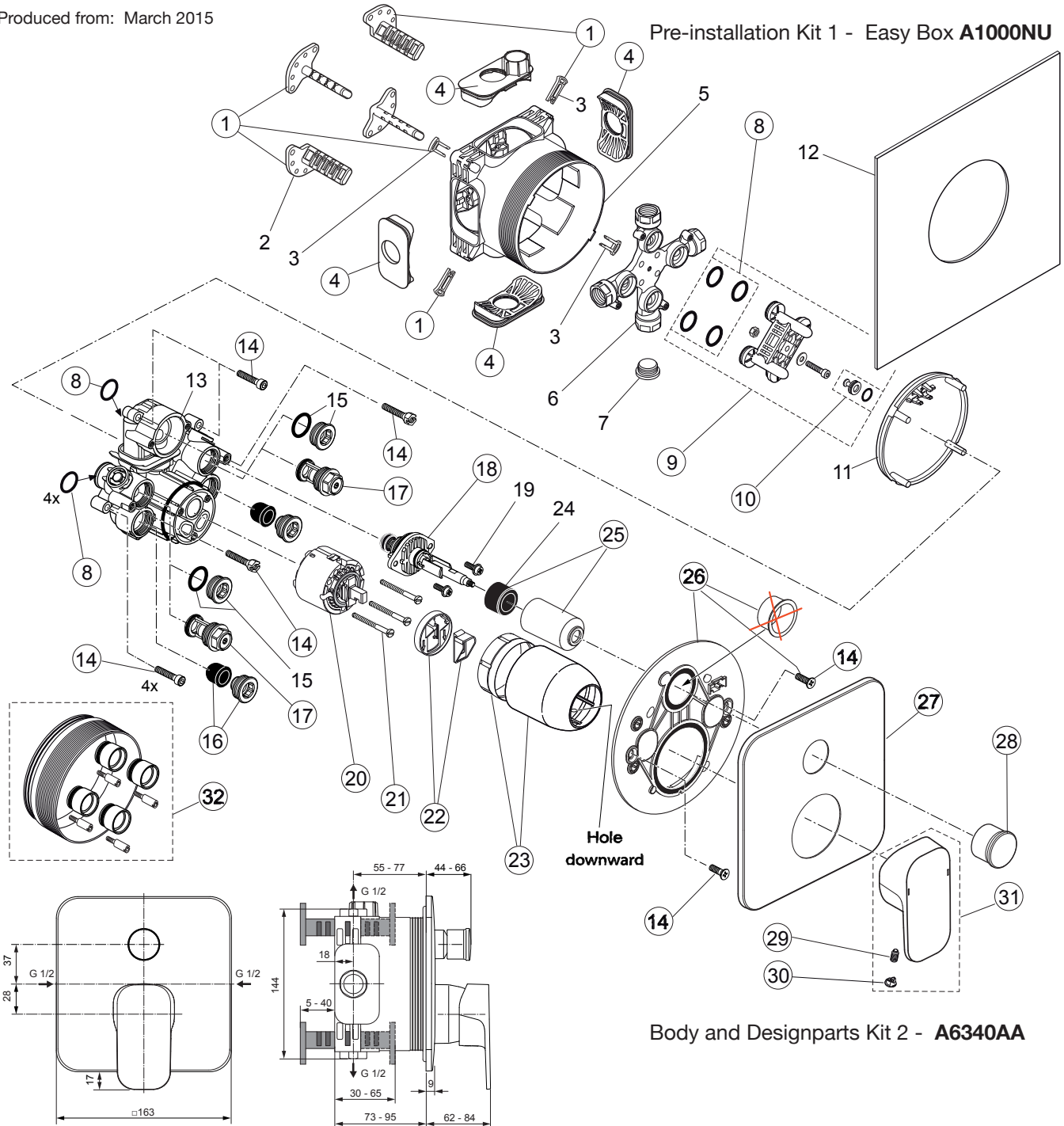


Produced from: March 2015

Pre-installation Kit 1 - Easy Box A1000NU



Body and Designparts Kit 2 - A6340AA

Pos.	Description	Part-Number	Qty.	Pos.	Description	Part-Number	Qty.
1	Install. depth adjust. + pos.3	<b>A 963 131 NU</b>	1 Set	19	Screw M4x12		
2	Depth adjustment device			20	Cartridge with pos.22	<b>A 960 500 NU</b>	1 Set
3	Adjustment lock ( contained in pos. 1 )			21	Cylindrical screw M4x41,7	<b>A 963 335 NU</b>	3 pcs
4	Side sealing	<b>A 963 132 NU</b>	1 Set	22	ECO-kit	<b>A 860 700 NU</b>	1 Set
5	Built-in box			23	Cover + clamping + O-ring	<b>A 960 893 AA</b>	1 Set
6	Multi-way body			24	Adapter rubber		
7	Plug G1/2			25	Cover / Cap for diverter	<b>A 860 902 AA</b>	1 pcs
8	O-ring Ø 17 x 2,5	<b>A 963 143 NU</b>	1 Set	26	Escutcheon holder compl.	<b>A 860 897 NU</b>	1 Set
9	Flushing device cpl.	<b>A 963 146 NU</b>	1 Set	27	Escutcheon B/S plane	<b>A 860 900 AA</b>	1 pcs
10	Plug with o-ring Ø 12x1,5	<b>A 963 147 NU</b>	1 pcs	28	Pull knob	<b>A 860 901 AA</b>	1 pcs
11	Cover for built-in box			29	Thread pin M5x10 DIN915	<b>A 963 309 NU</b>	1 pcs
12	Sealing fleece			30	Cap for handle	<b>B 960 473 AA</b>	1 pcs
13	Body Single lever			31	Lever compl. with Logo ISI	<b>A 860 896 AA</b>	1 Set
14	Screw set complete	<b>A 960 890 NU*</b>	1 Set	32	Extension kit 20mm	<b>A 960 704 NU</b>	1 Set
15	Plug with o-ring				Extension kit 40mm	<b>A 962 476 NU</b>	1 Set
16	Low noise insert	<b>A 960 891 NU</b>	1 pcs				
17	Stop valve	<b>A 960 706 NU</b>	2 pcs				
18	Diverter complete	<b>A 963 443 NU</b>	1 pcs				

\*Universal set (not all parts needed)