

# Sensorflow Wave A6167 .. A6171 ..

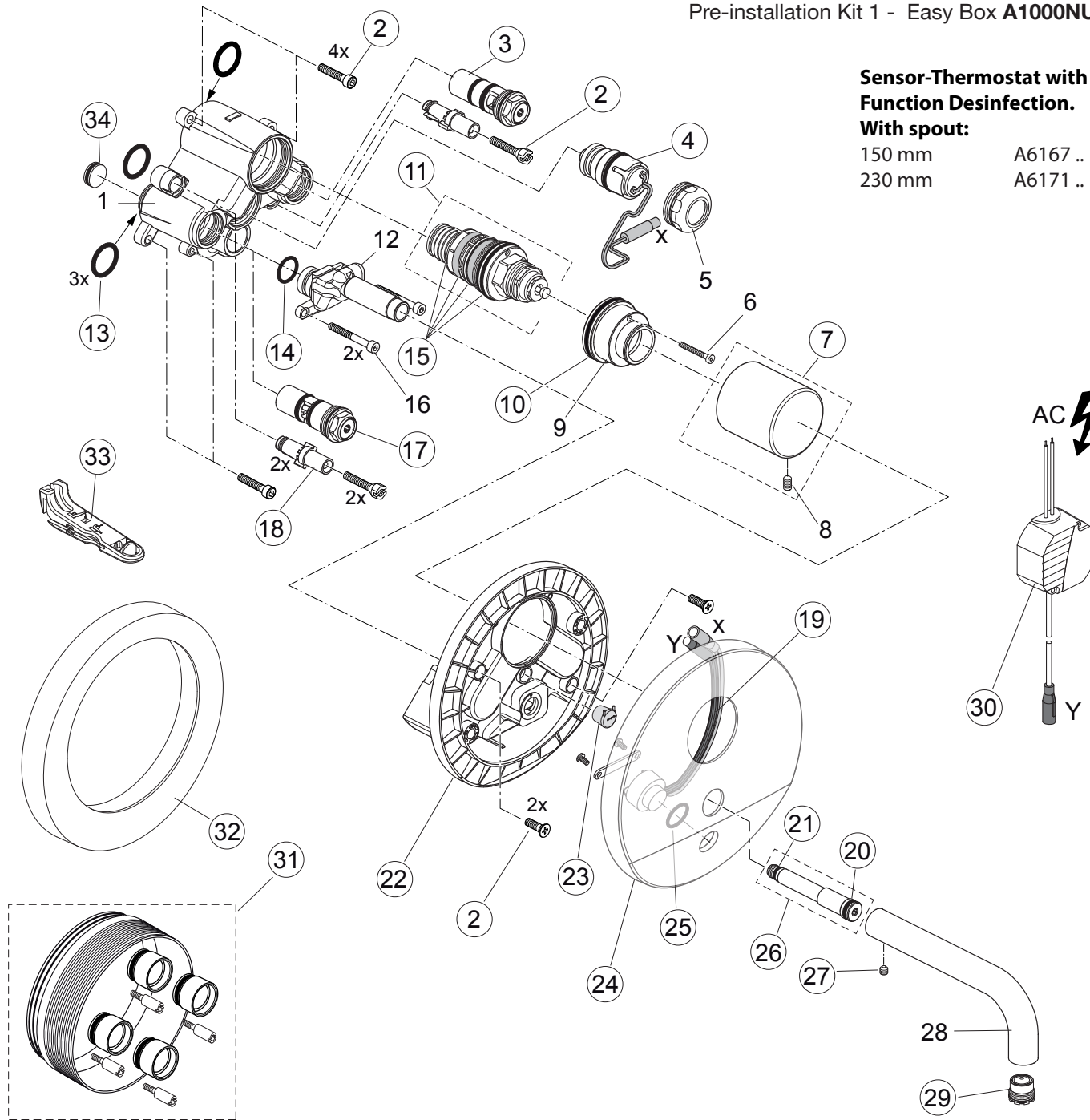
Produced from: June 2014

Pre-installation Kit 1 - Easy Box A1000NU

## Sensor-Thermostat with Function Desinfection.

### With spout:

150 mm            A6167 ..  
230 mm            A6171 ..



Pos.	Description	Part-Number	Qty.	Pos.	Description	Part-Number	Qty.
1	Body Thermostat			20	O-ring Ø 10 x 2,0	A 963 495 NU	1 pcs
2	Screw set complete	A 960 890 NU	1 Set	21	O-ring Ø 7x 1,2	A 960 457 NU	1 pcs
3	Stop valve (cold)	F 961 049 NU	1 pcs	22	Escutcheon holder cpl.	F 961 054 NU	1 pcs
4	Solenoidvalve 6V G1/2	F 961 050 NU	1 pcs	23	Cable grommet	F 961 074 NU	2 pcs
5	Cap nut			24	Escutcheon	F 961 075 AA	1 pcs
6	Screw M43x 25 Din 7984			25	O - Ring Ø 15,6 x 1,78	A 961 182 NU	2 pcs
7	Cover cpl.	F 961 072 AA	1 Set	26	Spout conector cpl.	F 961 055 NU	1 pcs
8	Thread pin M4x8 DIN914			27	Thread pin M4x4 DIN916	A 962 270 NU	1 Set
9	Adapter			28	Spout		
10	O-ring Ø 37,82 x 1,78	N 041 731 Nu	5 pcs	29	Aerator 1 GPM with Key	A 860 938 NU	1 pcs
11	Cart. therm. desinf. + Pos 33	F 961 069 NU	1 Set	30	AC-Adapter / 6,5V DC / 1A	F 961 024 NU	1 pcs
12	Body Spout				Extension cable 2 m	A 960 635 NU	1 pcs
13	O-ring Ø 17,5 x 2,5	A 963 143 NU	1 Set	31	Extension kit 20mm	A 960 704 NU	1 Set
14	O-ring Ø 14 x 1,78	A 962 605 NU	2 psc		Extension kit 40mm	A 962 476 NU	1 Set
15	Repair set	A 962 230 NU	1 Set	32	Distance frame	F 961 057 AA	1 pcs
16	Screw M4 x 35			33	Handle lever f. Desinf. (included in Pos 11)	F 961 070 NU	1 pcs
17	Stop valve (hot)	F 961 052 NU	1 pcs	34	Plug w. O-ring Ø 12 x 1,5	F 961 125 NU	1 pcs
18	Adapter srew M5	F 960 903 NU	2 pcs				
19	Sensor complete + Pos.25	F 961 053 NU	1 Set				