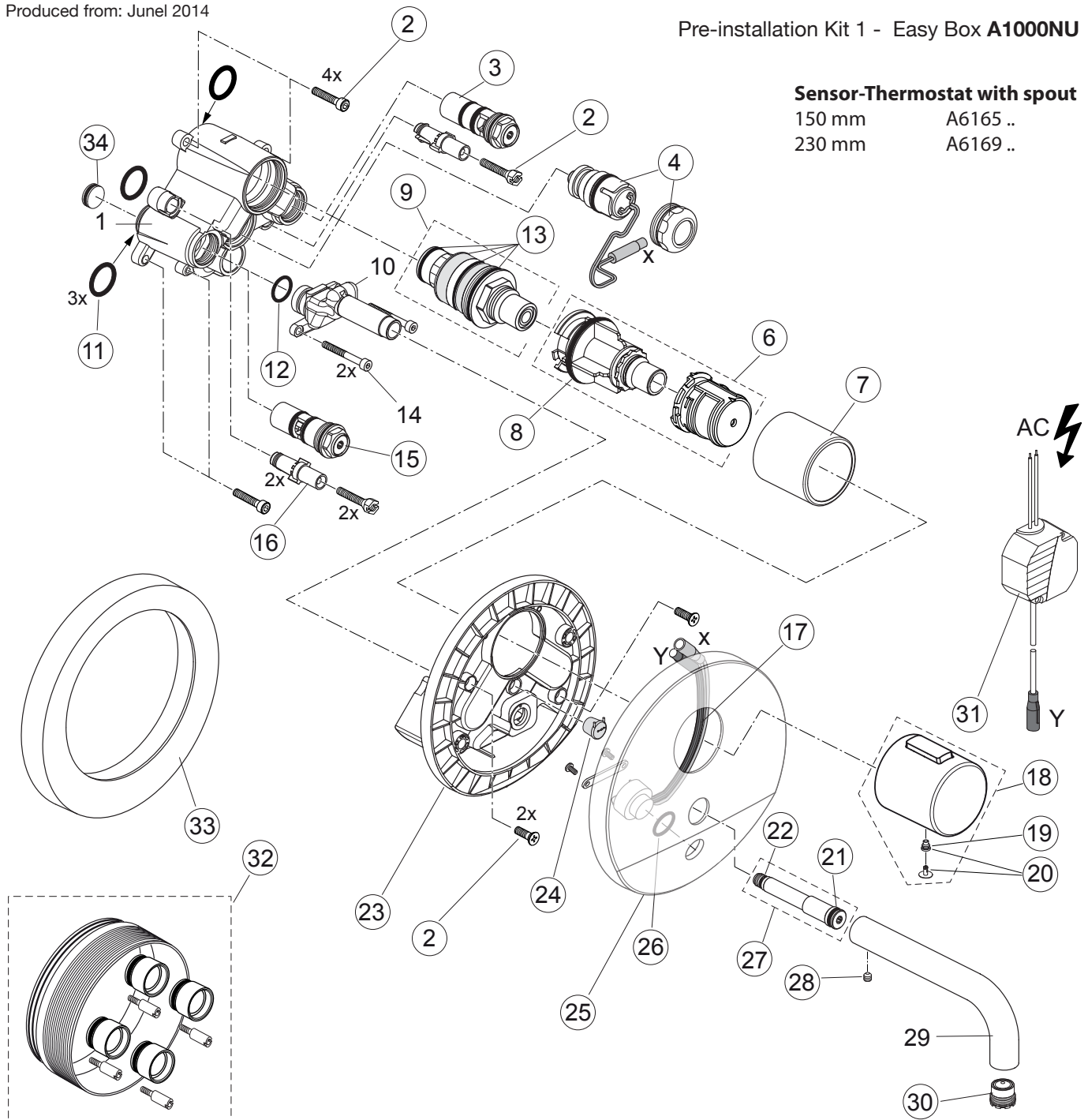


Sensorflow Wave A6165 .. A6169..

Produced from: Junel 2014

Pre-installation Kit 1 - Easy Box A1000NU

Sensor-Thermostat with spout
150 mm A6165 ..
230 mm A6169 ..



Pos.	Description	Part-Number	Qty.	Pos.	Description	Part-Number	Qty.
1	Body Thermostat			19	Handle screw M5x5	A 961 095 NU	1 pcs
2	Screw set complete	A 960 890 NU	1 Set	20	Cap with screw	A 962 149 AA	1 Set
3	Stop valve (cold)	F 961 049 NU	1 pcs	21	O-ring Ø 10 x 2,0	A 963 495 NU	1 pcs
4	Solenoidvalve 6V G1/2*	F 961 050 NU	1 pcs	22	O-ring Ø 7x 1,2	A 960 457 NU	1 pcs
	*special tool required	A 861 257 NU	1 pcs	23	Escutcheon holder cpl.	F 961 054 NU	1 pcs
6	Temp. adjustment	A 963 427 NU	1 Set	24	O - Ring Ø 15,6 x 1,78	A 961 182 NU	2 pcs
7	Cap	F 961 051 AA	1 pcs	25	Cable grommet	F 961 074 NU	2 pcs
8	O-ring Ø 37,77 x 2,62	A 962 574 NU	1 pcs	26	Escutcheon	F 961 075 AA	1 pcs
9	Cartridge thermostat G1/2	A 962 164 NU	1 pcs	27	Spout conector cpl.	F 961 055 NU	1 pcs
10	Body Spout			28	Thread pin M4x4 DIN916	A 962 270 NU	1 Set
11	O-ring Ø 17,5 x 2,5	A 963 143 NU	1 Set	29	Spout		
12	O-ring Ø 14 x 1,78	A 962 605 NU	2 psc	30	Areator 1 GPM with Key	A 860 938 NU	1 pcs
13	Repair set	A 962 230 NU	1 Set	31	AC-Adapter / 6,5V DC / 1A	F 961 024 NU	1 pcs
14	Screw M4 x 35				Extension cable 2 m	A 960 635 NU	1 pcs
15	Stop valve (hot)	F 961 052 NU	1 pcs	32	Extension kit 20mm	A 960 704 NU	1 Set
16	Adapter srew M5	F 960 903 NU	2 pcs		Extension kit 40mm	A 962 476 NU	1 Set
17	Sensor complete + Pos.26	F 961 053 NU	1 Set	33	Distance frame	F 961 057 AA	1 pcs
18	Handle Therm w. Logo AR	F 961 059 AA	1 Set	34	Plug w. O-ring Ø 12 x 1,5	F 961 125 NU	1 pcs