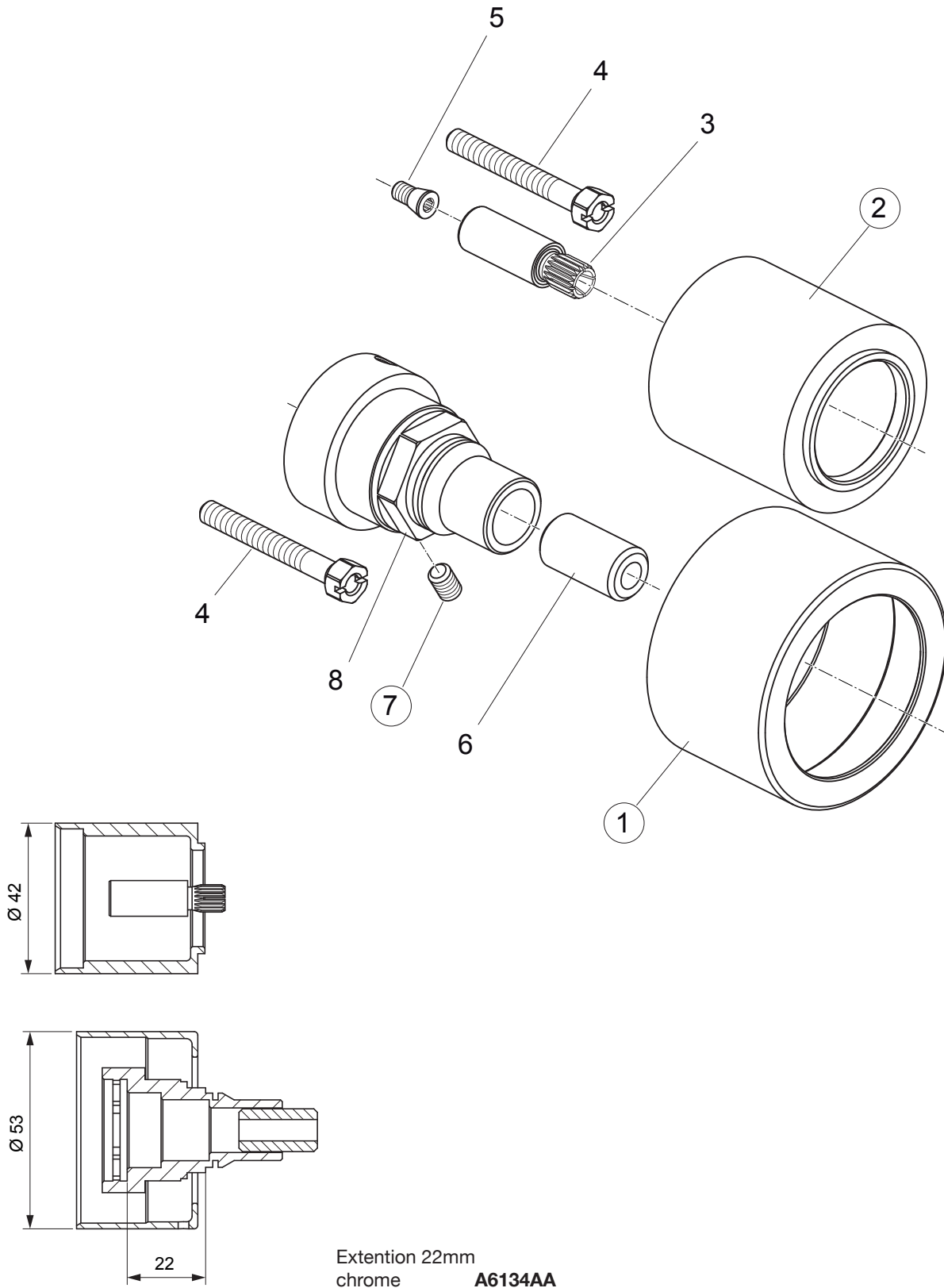


Produced from: **Sept. 2014**



Pos.	Description	Part-Number	Qty.	Pos.	Description	Part-Number	Qty.
1	Cover / Cap Temperature	F 961 129 AA	1 pcs	5	Srew M4l		
2	Cover / Cap Volume Contr.	F 961 130 AA	1 pcs	6	Pressure pins		
3	Spindle			7	Thread pin M5 x 8 DIN913	A 960 229 NU	1 pcs
4	Adjustment srew			8	Cartridge extension		