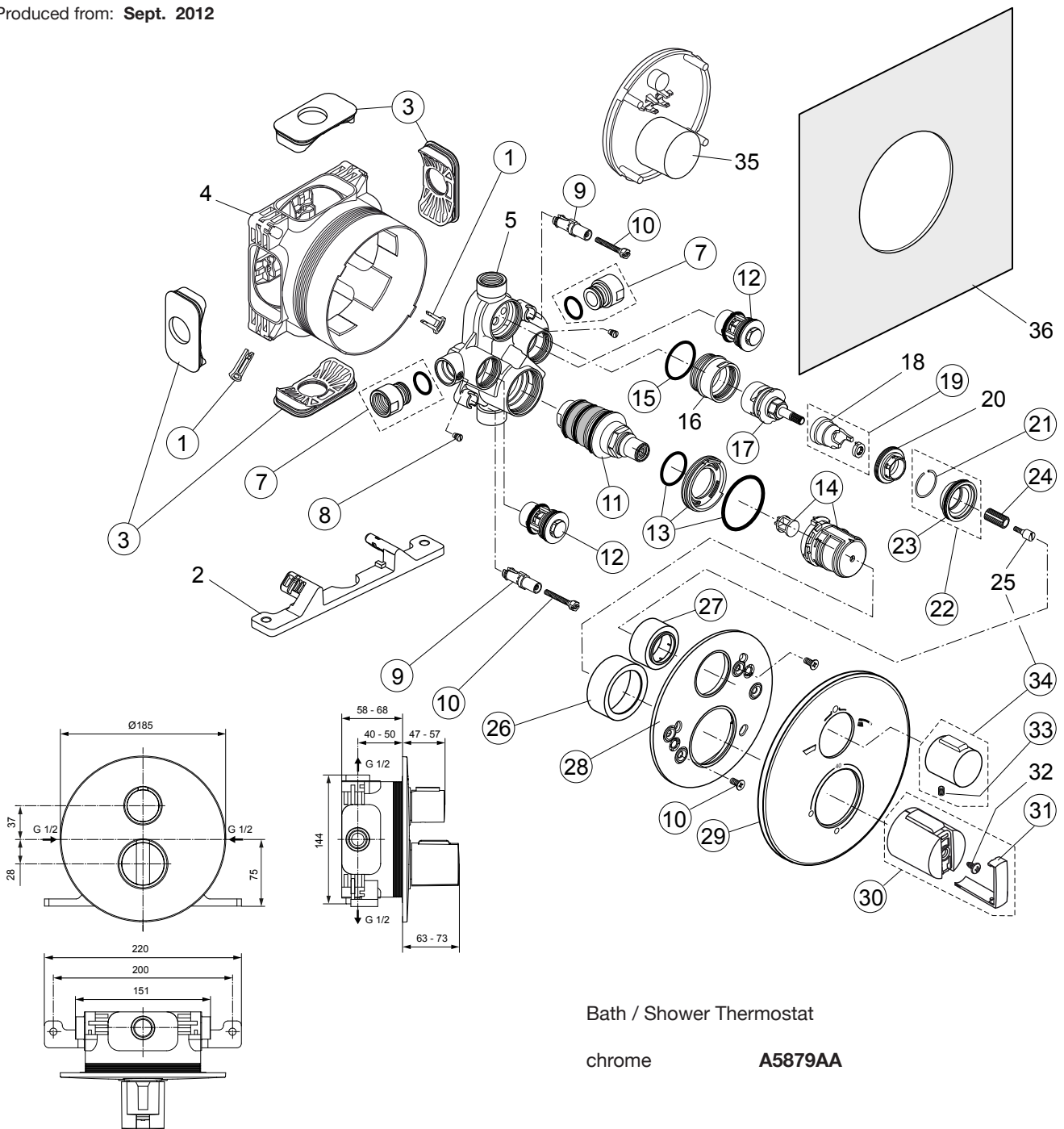


# Easy-Box Slim A5879..



Produced from: Sept. 2012



Bath / Shower Thermostat

chrome

**A5879AA**

Pos.	Description	Part-Number	Qty.	Pos.	Description	Part-Number	Qty.
1	Adjustment lock	<b>A 963 131 NU*</b>	1 Set	20	Clamping nut M36 x 1		
2	Fixation Built-in Box			21	Snap ring	<b>A 962 368 NU</b>	1 pcs
3	Side sealing	<b>A 963 132 NU</b>	1 Set	22	Holder f. escutcheon Vol.	<b>F 960 909 NU</b>	1 Set
4	Built-in box			23	O - ring Ø 34 x 2	<b>A 960 183 NU</b>	2 pcs
5	Body Thermostat with Volume control			24	Handle insert	<b>A 963 196 NU</b>	2 pcs
7	Connection nipple cpl.	<b>F 960 899 NU</b>	1 pcs	25	Fixation screw M4 / Ø8 / 22,5		
8	Thread pin M5 x 5,5	<b>A 961 183 NU</b>	1 pcs	26	Cover / Cap Temperature	<b>F 960 910 AA</b>	1 pcs
9	Adapter screw	<b>F 960 903 NU</b>	2 pcs	27	Cover / Cap Volume Contr.	<b>F 960 911 AA</b>	1 pcs
10	Screw set complete	<b>F 960 904 NU*</b>	1 Set	28	Escutcheon holder compl.	<b>F 960 913 NU</b>	1 pcs
11	Thermostat cartridge	<b>F 960 905 NU</b>	1 pcs	29	Escutcheon with symbols	<b>F 960 916 AA</b>	1 pcs
12	None return-valve DN20	<b>F 960 906 NU</b>	1 pcs	30	Temperature handle cpl.	<b>A 962 880 AA</b>	1 pcs
13	Holder f. escutcheon Temp.	<b>F 960 907 NU</b>	1 Set	31	Handle cover	<b>A 962 878 AA*</b>	1 pcs
14	Temp.-adjustment compl.	<b>F 960 908 NU</b>	1 pcs	32	Ejot-PT Screw KB50x10		
15	O - ring Ø 34,65 x 1,78	<b>A 962 848 NU</b>	2 pcs	33	Thread pin M5 x 8 DIN913	<b>A 960 229 NU</b>	1 pcs
16	Thread ring M40 x 1,5			34	Volume handle + pos. 25	<b>F 960 914 AA</b>	1 pcs
17	Stop valve with diverter	<b>A 962 480 NU</b>	1 pcs	35	Cover for built-in box		
18	Clamp cover			36	Sealing fleece		
19	Clamp cover with washer	<b>A 962 481 NU</b>	1 Set				

\* Universal-Set - not all parts are needed