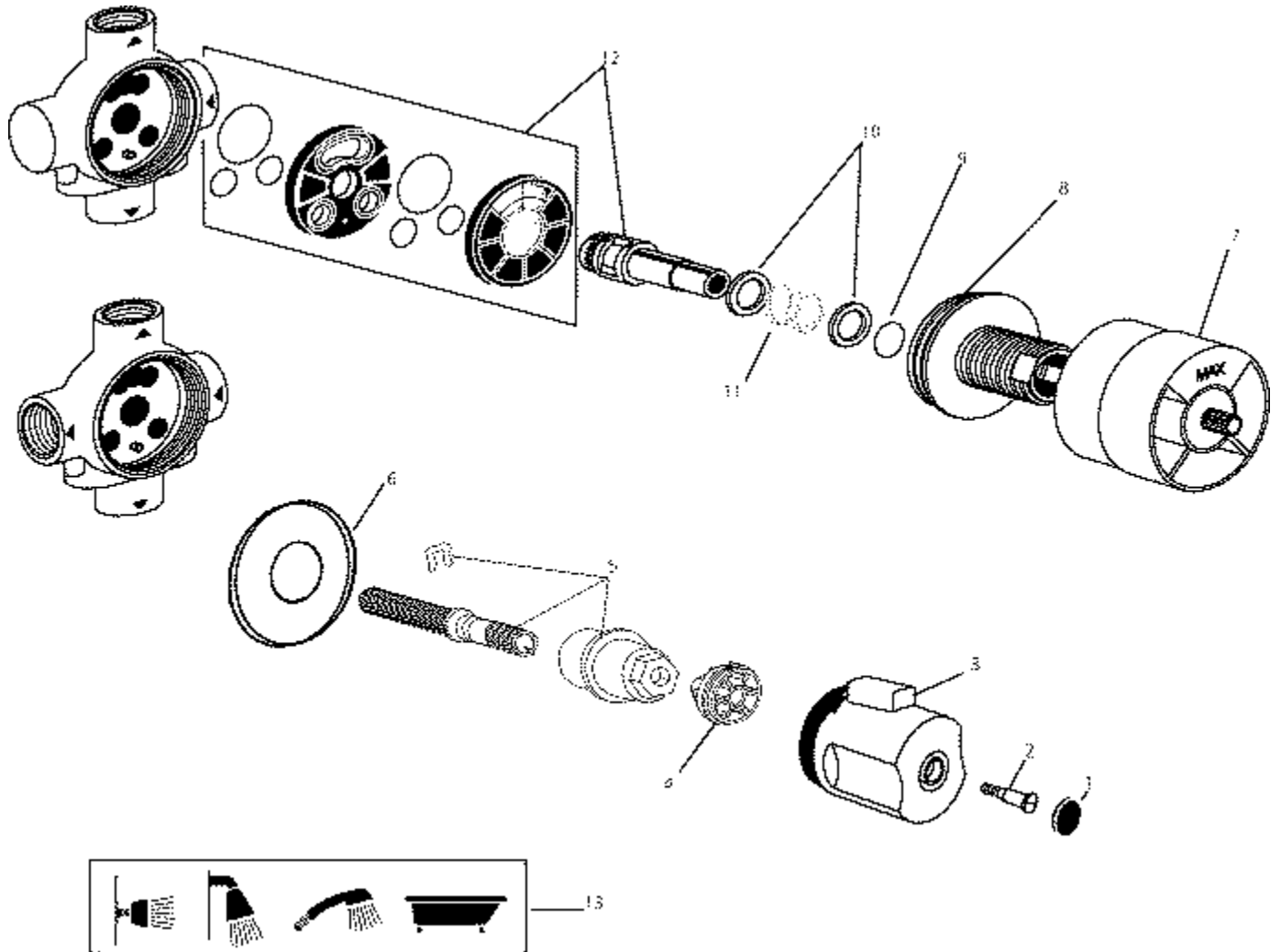


# TREVI

## DIVERTOR

A4820 & A5820 (482 & 582) Divertor 2-way & 3-way - Trevi



Ref.	Description	D	Part No.	Old Part No.
1	Trevi therm handle cap		A907294LJ	99106900
2	Handle fixation screw		A91842814	91842800
3	Trevi therm divertor handle		A960777--	-
4	Handle carrier		A923348	92334800
5	Escutcheon holder and extension spindle		A963474AA	-
6	Escutcheon ring Chrome		A963473AA	-
6a	Escutcheon ring Gold		E960467AZ	-
7	Plaster guard		-	-
8	'O' ring (large)		96257400	-
9	'O' ring (small)		96346900	-
10	Fibre washers		96347100	-
11	Spring		96347200	-
12	Divertor working components kit complete		A963470NU	96347000
13	Symbols/transfers		A963477NU	-

NB -- colour/finish options: **Chrome = AA, Light Gold = AZ, White = AC**