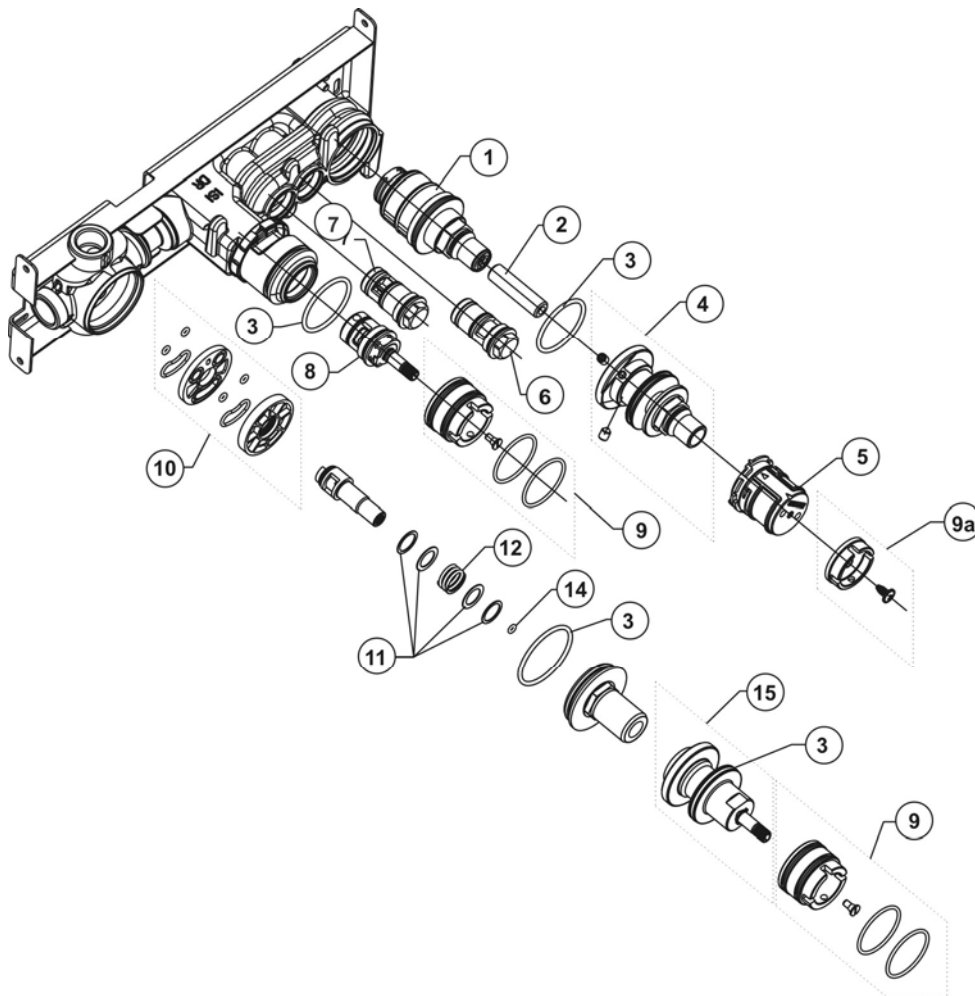


**A5601AA Oposta 3-Control Built-in Thermostatic
Bath Shower Mixer with 2-way diverter**

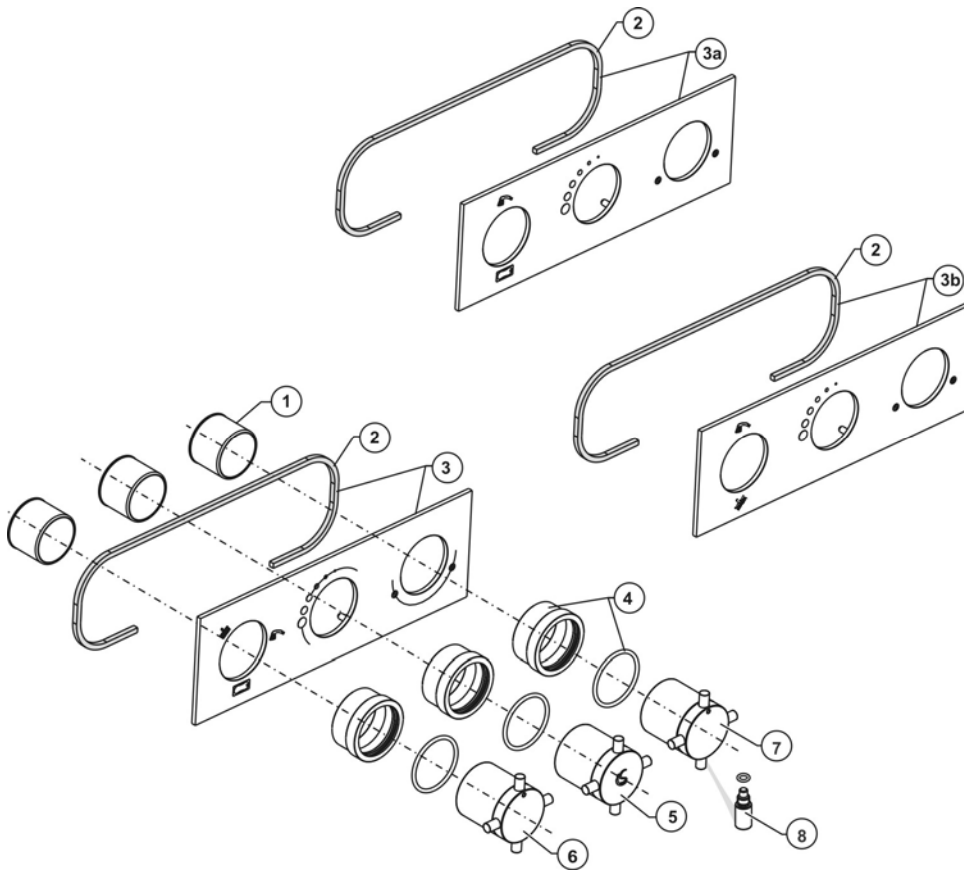
**A5602AA Oposta 3-Control Built-in Thermostatic
Bath Shower Mixer with 3-way diverter**

**A5595AA Oposta 3-Control Built-in Thermostatic
Shower/Shower Mixer with 2-way diverter**



Ref.	Description	Part No.
1	Thermostatic cartridge	S960134NU
2	Extension bush	-
3	O-ring	A962574NU
4	Temp handle ext kit	-
5	Temp adjust carrier	A963427NU
6	Check valve - cold	A960588NU
7	Check valve - hot	A960589NU
8	Flow control cartridge	A960462NU

Ref.	Description	Part No.
9	Brass Adaptor Flow & Div	A960185NU
9a	Brass Adaptor Temp	A963198NU
10	Diverter parts kit	A963470NU
11	Washers Kit	A963471NU
12	Spring	A963472NU
14	O-ring - small	A963469NU
15	Diverter extension assy	A962320NU



Ref.	Description	Part No.	Ref.	Description	Part No.
1	Short shroud	A960789AA	4	Grip ring & o-ring kit	A960791AA
2	Foam Gasket	-	5	Flow handle kit. WITH LOGO	A963202AA
3	Escutcheon & gasket 3-way	A963200AA	6	Diverter handle kit	A963201AA
3a	Escut'n & gasket 2-way Bath/Shower (A5601)	A963199AA	7	Temperature handle kit	A963203AA
3b	Escut'n & gasket 2-way Shower/Shower (A5595)	A963675AA	8	Loose locking pins, set of 3	A963205AA