

14 SPARE PARTS

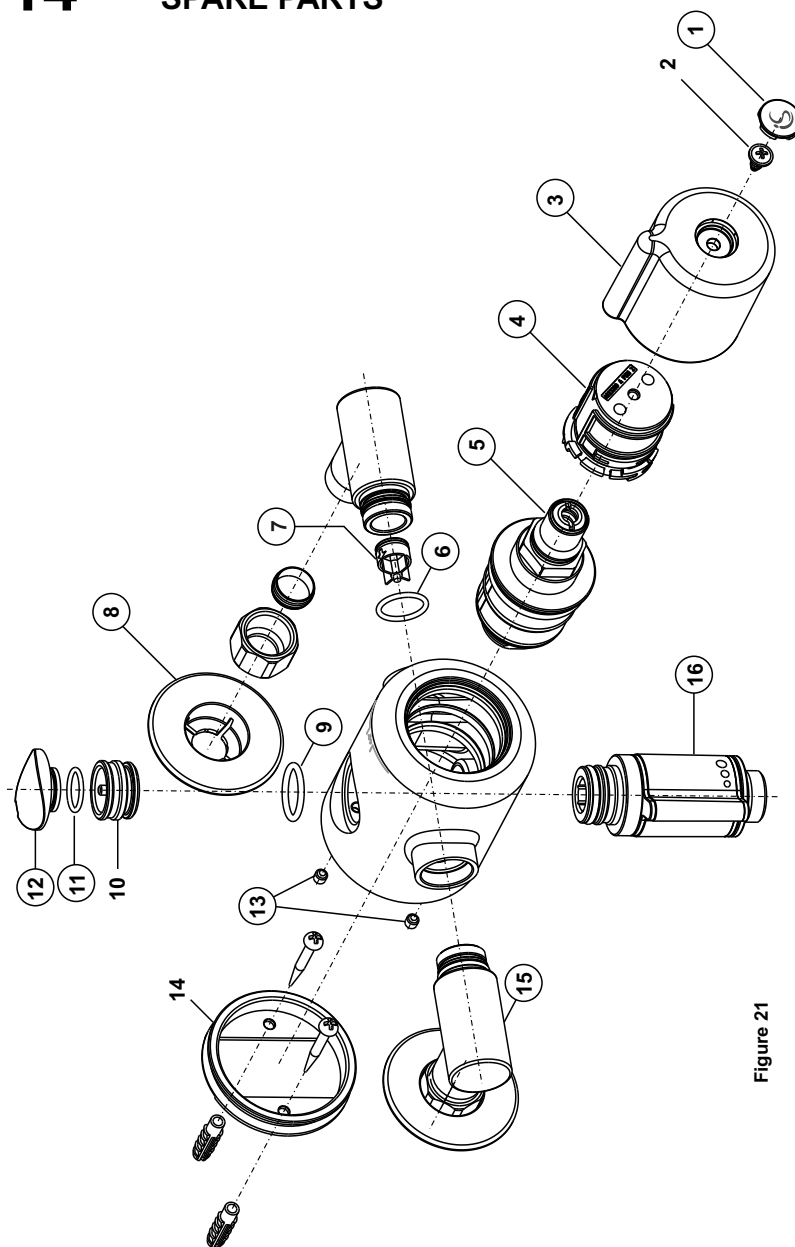


Figure 21

Ref.	Description	Part No.
1	Cover Button	A961951NU
2	Screw - handle fixation	-
3	Temperature control handle	A962577AA
4	Temperature handle carrier	A963427NU
5	Thermostatic cartridge	A960587NU
6	O-ring	A961810NU
7	Check valve	A860415NU
8	Escutcheon	A962587AA
9	O-ring	A963143NU
10	Sealing plug	-
11	O-ring	A962605NU
12	Plug cap	A962612AA
13	Grub screws	A962625NU
14	Back mounting plate	-
15	Inlet elbow assembly	A962613AA
16	Flow control valve assembly	A962624AA
17	Flow restrictor 4 l/min	A962570NU
18	Flow restrictor 8 l/min	A962571NU



CUSTOMER CARE HELP LINE

0870 129 6085

CUSTOMER CARE FAX

01482 499611

E-MAIL

UKcustcare@idealstandard.com

Ideal Standard pursues a policy of continuing improvement in design and performance of its products.

The right is therefore reserved to vary specification without notice.

Ideal Standard is a division of
Ideal Standard (UK) Ltd

Ideal Standard,
The Bathroom Works, National Avenue
Kingston-upon-Hull, HU5 4HS, England

T122/a - 10/10

A866228