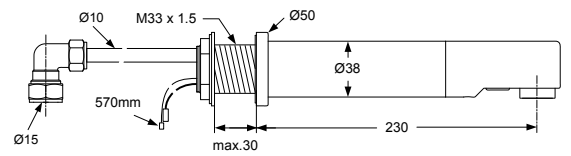


# Sensorflow 21 A4848.. A4849.. A4850..

Produced from: March 2010

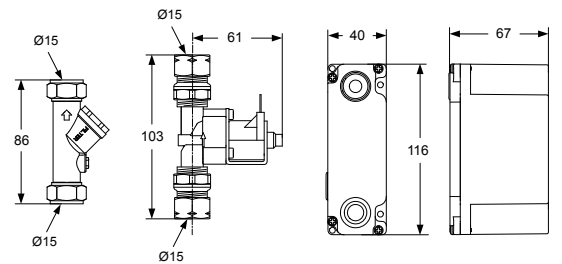
Wall mounted spout with sensor  
PC-Board DC Battery  
chrome

**A4848AA**



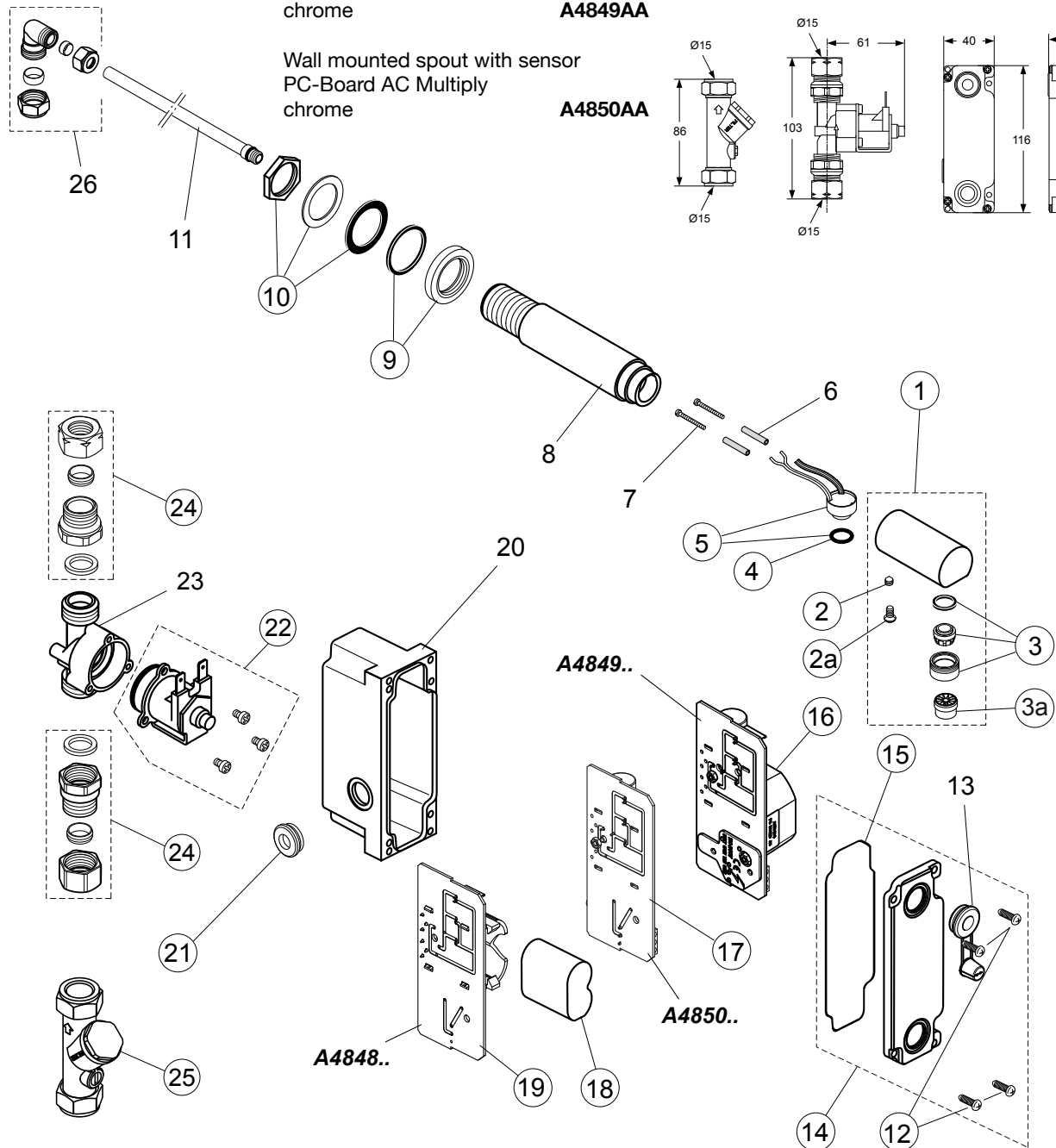
Wall mounted spout with sensor  
PC-Board AC  
chrome

**A4849AA**



Wall mounted spout with sensor  
PC-Board AC Multiply  
chrome

**A4850AA**



Pos.	Description	Part-Number	Qty.	Pos.	Description	Part-Number	Qty.
1	Spout complete	<b>A 962 954 AA</b>	1 pcs	13	Cable sealing special		
2	Thread pin M5x6 DIN914	<b>A 963 667 NU</b>	1 pcs	14	Cover complete	<b>A 960 163 NU</b>	1 pcs
2a	Screw M4x8 - since 12/10	<b>A 963 311 NU</b>	1 pcs	15	Sealing frame	<b>A 960 162 NU</b>	1 pcs
3	Aerator M24x1 complete	<b>B 960 859 AA</b>	1 pcs	16	PC Board AC (A4849AA)	<b>A 960 159 NU</b>	1 pcs
3a	Insert to pos. 3	<b>B 960 860 NU</b>	1 pcs	17	PC Board Multi (A4850AA)	<b>A 960 160 NU</b>	1 pcs
4	O - ring Ø 15,6 x 1,78	<b>A 961 182 NU</b>	2 pcs	18	Battery 6V CR-P2	<b>A 960 161 NU</b>	1 pcs
5	Sensor complete	<b>A 960 219 NU</b>	1 pcs	19	PC Board DC (A4848AA)	<b>A 960 158 NU</b>	1 pcs
6	PA hose 3x5 - L = 28mm			20	Control box		
7	Cylindrical screw M3x30			21	Cable sealing	<b>A 960 155 NU</b>	2 pcs
8	Outlet pipe 230mm			22	Magnet valves with screws	<b>A 962 478 NU</b>	1 Set
9	Escutcheon with washer	<b>A 962 957 AA</b>	1 pcs	23	Valve housing		
10	Fixation kit universal	<b>A 960 929 NU</b>	1 Set	24	Coupler ( short version )	<b>A 962 499 NU</b>	1 pcs
11	Cu-pipe			25	Service valve	<b>E 960 086 NU</b>	1 pcs
12	Ejot-PT-Screw KB35x12	<b>A 960 152 NU</b>	4 pcs	26	Elbow complete		