

Sensorflow 21 A4845.. A4846.. A4847..

Produced from: March 2010

Wall mounted spout with sensor
PC-Board DC Battery
chrome

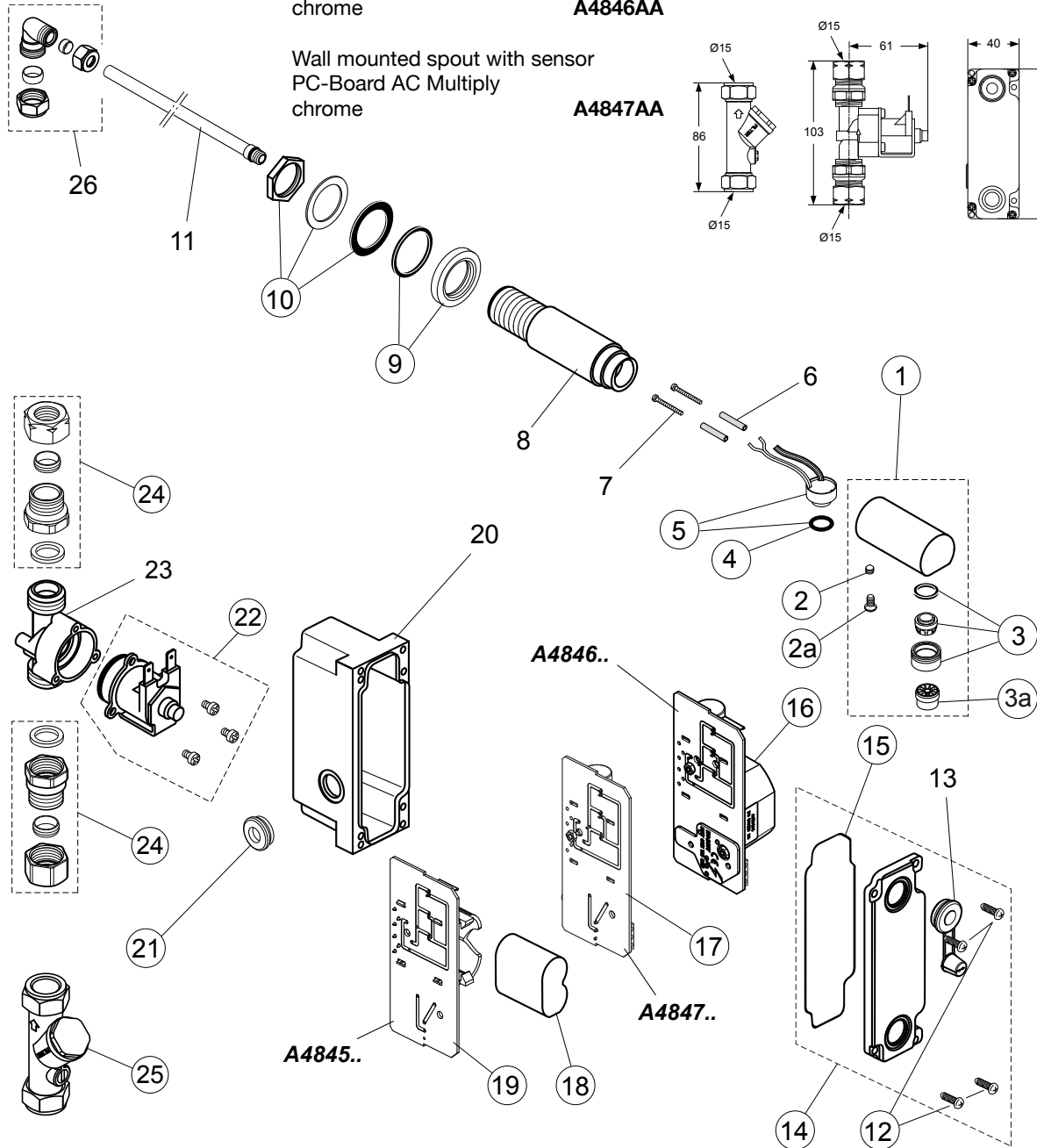
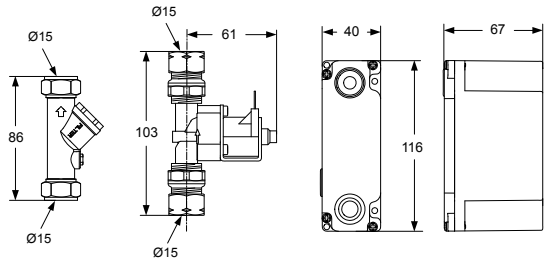
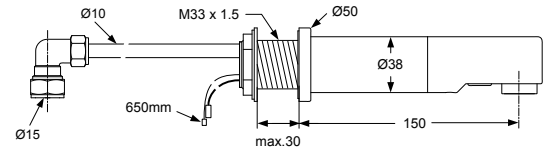
A4845AA

Wall mounted spout with sensor
PC-Board AC
chrome

A4846AA

Wall mounted spout with sensor
PC-Board AC Multiply
chrome

A4847AA



Pos.	Description	Part-Number	Qty.	Pos.	Description	Part-Number	Qty.
1	Spout complete	A 962 954 AA	1 pcs	13	Cable sealing special		
2	Thread pin M5x6 DIN914	A 963 667 NU	1 pcs	14	Cover complete	A 960 163 NU	1 pcs
2a	Screw M4x8 - since 12/10	A 963 311 NU	1 pcs	15	Sealing frame	A 960 162 NU	1 pcs
3	Aerator M24x1 complete	B 960 859 AA	1 pcs	16	PC Board AC (A4846AA)	A 960 159 NU	1 pcs
3a	Insert to pos. 3	B 960 860 NU	1 pcs	17	PC Board Multi (A4847AA)	A 960 160 NU	1 pcs
4	O - ring Ø 15,6 x 1,78	A 961 182 NU	2 pcs	18	Battery 6V CR-P2	A 960 161 NU	1 pcs
5	Sensor complete	A 960 219 NU	1 pcs	19	PC Board DC (A4845AA)	A 960 158 NU	1 pcs
6	PA hose 3x5 - L = 28mm			20	Control box		
7	Cylindrical screw M3x30			21	Cable sealing	A 960 155 NU	2 pcs
8	Outlet pipe 150mm			22	Magnet valves with screws	A 962 478 NU	1 Set
9	Escutcheon with washer	A 962 957 AA	1 pcs	23	Valve housing		
10	Fixation kit universal	A 960 929 NU	1 Set	24	Coupler (short version)	A 962 499 NU	1 pcs
11	Cu-pipe			25	Service valve	E 960 086 NU	1 pcs
12	Ejot-PT-Screw KB35x12	A 960 152 NU	4 pcs	26	Elbow complete		