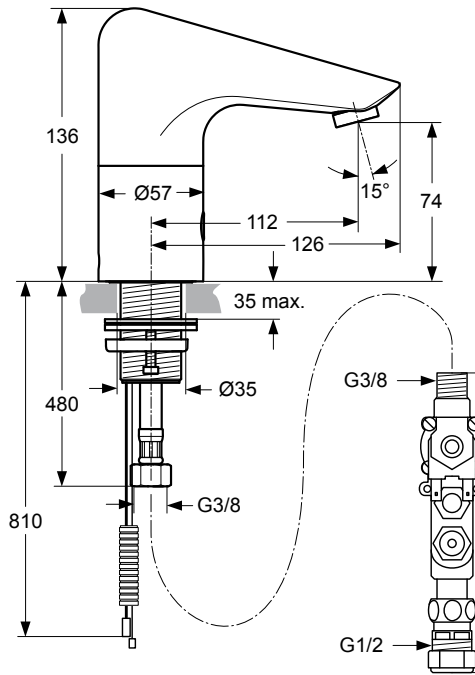
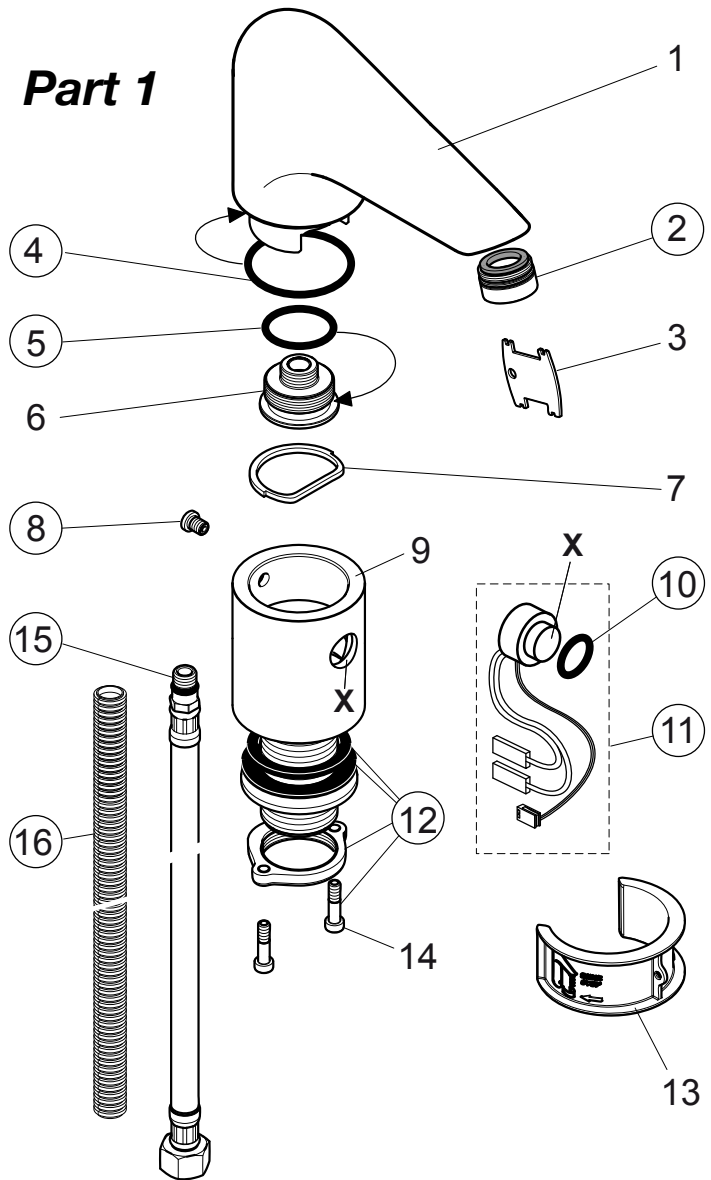


Produced from: Febr. 2008



## Part 1



Basin Spout Electronic with battery DC chrome **A4664AA**

Basin Spout Electronic AC chrome **A4798AA**

Basin Spout Electronic Multi chrome **A4799AA**

Pos.	Description	Part-Number	Qty.	Pos.	Description	Part-Number	Qty.
1	Body ( Electr. spout )			10	O - Ring Ø 15,6 x 1,78	<b>A 961 182 NU</b>	2 pcs
2	Aerator M24x1 complete	<b>B 960 457 AA</b>	1 pcs	11	Sensor complete + Pos.10	<b>A 960 219 NU</b>	1 pcs
3	Aerator key			12	Fixation-Set Universal	<b>A 960 486 NU</b>	1 Set
4	O - Ring Ø 36 x 2	<b>A 961 335 NU</b>	1 pcs	13	Sensor cover		
5	O - Ring Ø 26 x 2,5	<b>A 860 845 NU</b>	1 pcs	14	Cylindrical screw M5 x 20 DIN 7985		
6	Adapter ( Connector Flex. hose )			15	Flex. hose M10x1-G3/8	<b>A 963 685 NU</b>	1 pcs
7	Sensor holder ( tin )			16	Corrugated tube	<b>A 960 221 NU</b>	1 pcs
8	Set screw M6	<b>A 960 201 AA</b>	1 pcs				
9	Extension f. Body						