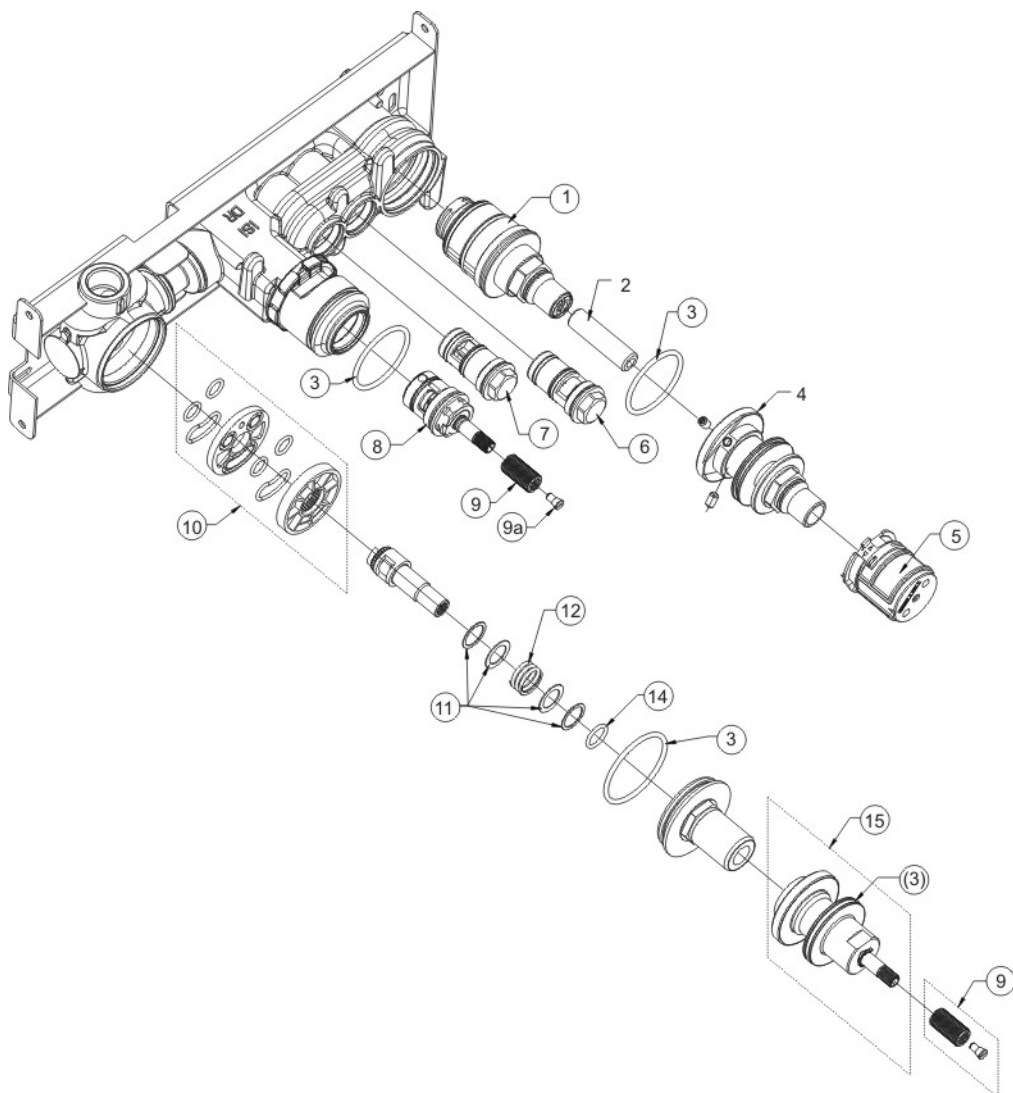


A4788NU Moments built-in thermostatic valve with 2-way diverter 1st fix kit



Ref.	Description	Part No.	Ref.	Description	Part No.
1	Thermostatic cartridge	S960134NU	9	Drive insert	N042677NU
2	Extension bush	-	9a	Screw for drive insert	A961337NU
3	O-ring	A962574NU	10	Diverter parts kit	A963470NU
4	Temp handle ext	-	11	Brass & fibre washers	A963471NU
5	Temp adjust carrier	A963427NU	12	Spring	A963472NU
6	Check valve – cold	A960588NU	14	O-ring – small	A963469NU
7	Check valve - hot	A960589NU	15	Diverter extension assy	A962320NU
8	Flow control cartridge	A960462NU			