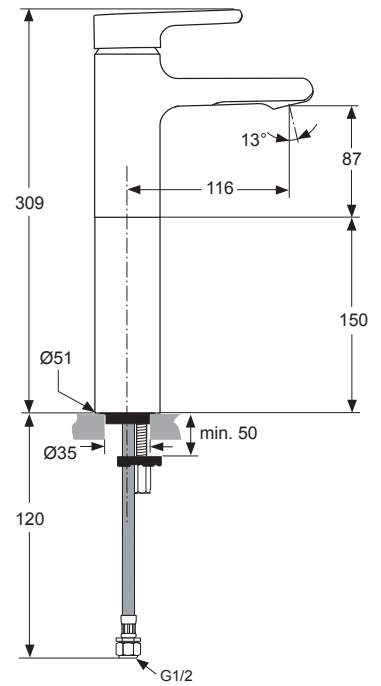
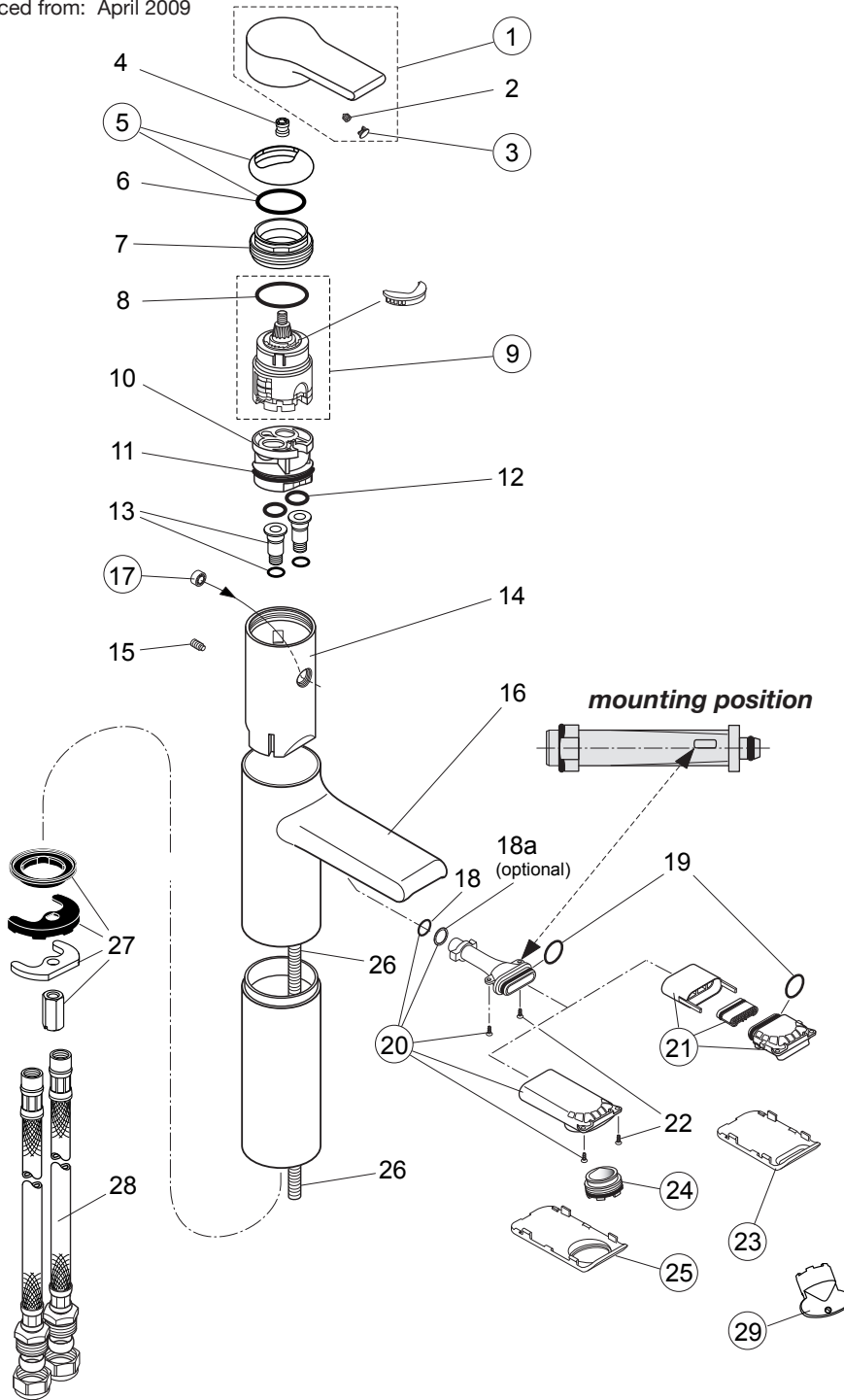
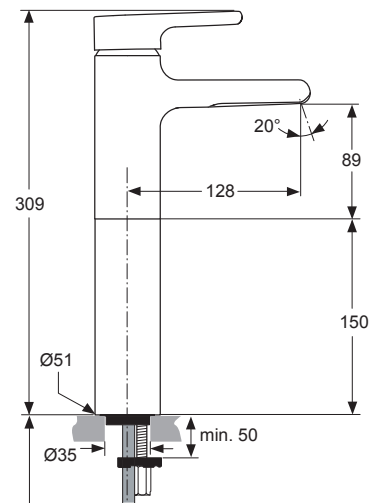


Produced from: April 2009



**SL basin mixer, Aerator**  
with flex. hose  
chrome **A4755AA**



**SL basin mixer, Waterfall**  
with flex. hose  
chrome **A4756AA**

Pos.	Description	Part-Number	Qty.	Pos.	Description	Part-Number	Qty.
1	Lever cpl. with Logo IS	<b>A 960 645 AA</b>	1 pcs	16	Body ( Lavy )		
2	Thread pin M5x6 DIN914			17	Flow limiter (waterfall only)	<b>A 960 647 NU</b>	1 pcs
3	Handle cap	<b>B 960 473 AA</b>	1 pcs	18	O - ring Ø 9,25 x 1,78 (until 2014) (from 2015 Ø 9,1 x 1,6)		
4	Handle adapter			19	O - ring Ø 18 x 1,5		
5	Cover cap	<b>A 960 646 AA</b>	1 pcs	20	Water outlet f. aerator	<b>A 960 649 NU*</b>	1 Set
6	O - ring Ø 28,3 x 1,78			21	Water outlet f. waterfall	<b>A 960 650 NU*</b>	1 pcs
7	Clamping nut M43 x 1,5			22	Screw Ejoj WN5152 20x5		
8	O - Ring Ø 35 x 3,2			23	Cover plate waterfall	<b>A 960 651 AA</b>	1 pcs
9	Cartridge Multiport Click	<b>A 962 985 NU</b>	1 pcs	24	Aeartor M24 x 1	<b>A 960 692 NU</b>	1 pcs
	Cartridge ( only waterfall )	<b>A 962 716 NU</b>	1 pcs	25	Coverplate aerator	<b>A 960 653 AA</b>	1 pcs
10	Plastic manifold			26	Stud M8 x 270mm		
11	O - ring Ø 34,65 x 1,78			27	Fixation set		
12	O - ring Ø 10 x 2			28	Flex. hose M10x1In.-G1/2		
13	Adapter flex. hose + O-ring Ø7 x 15			29	Key for aerator pos. 24	<b>A 960 196 NU</b>	1 pcs
14	Cartridge holder						
15	Thread pin M5x10 DIN 915						

\*from 2015 w. Pos.18a (optional); water outlet removed in Pos.20 + Pos.21