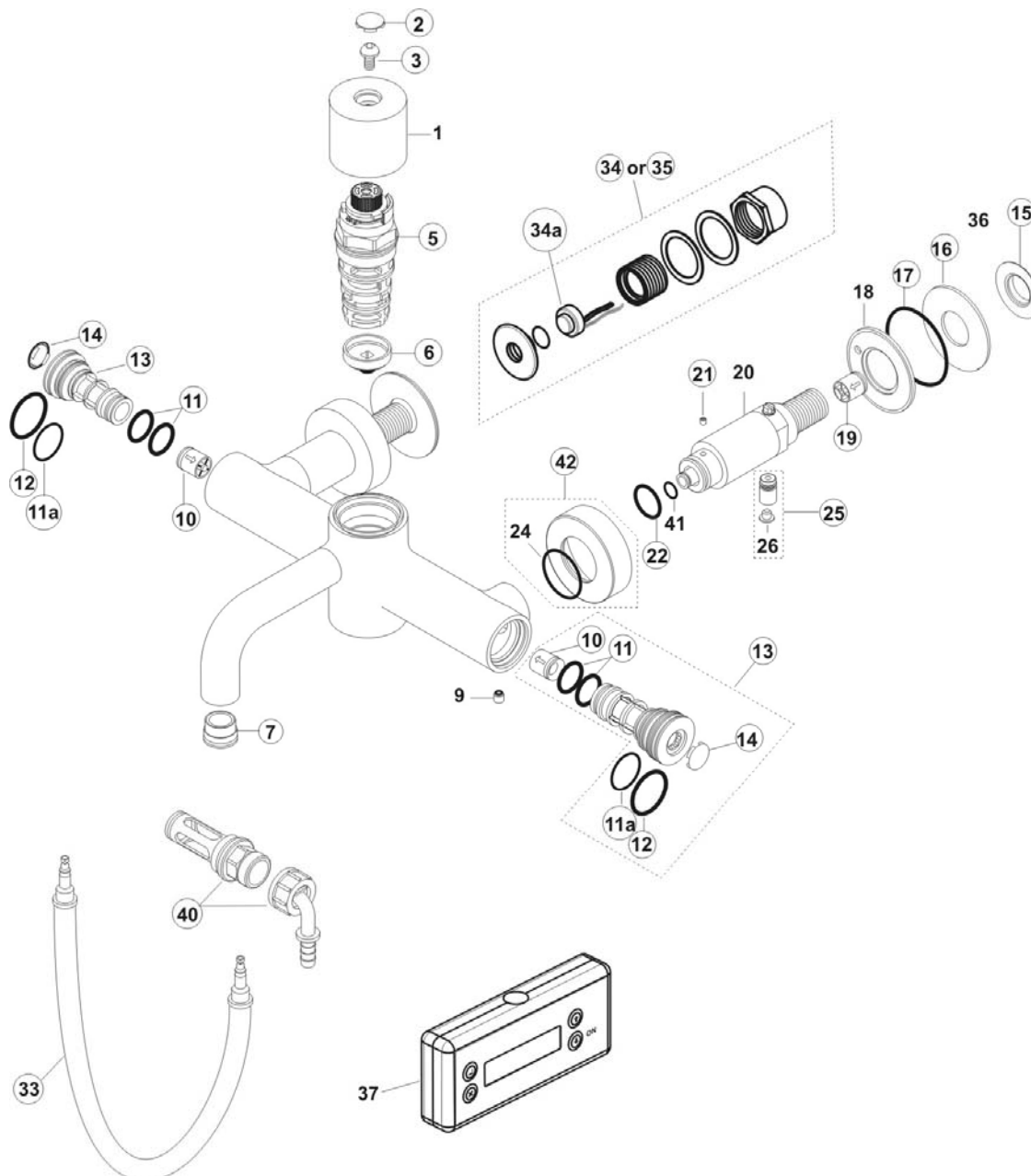


A4555AA Markwik Timed Flow, Proximity Operated Thermostatic Panel Mounted Mixer Tap
A4554AA Markwik Proximity Thermostatic Panel Mounted Mixer Tap

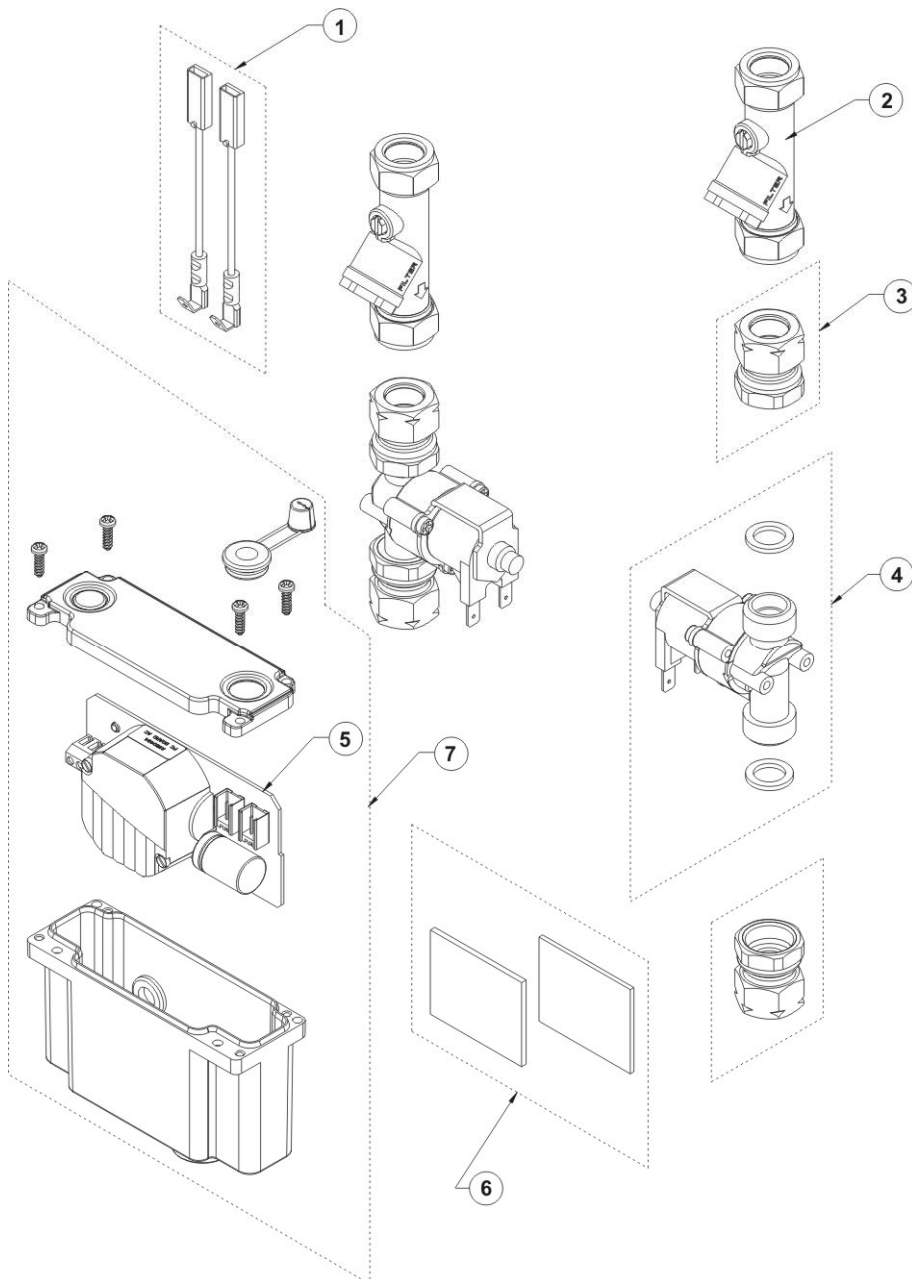
This is the Non-TMV3 version – Cartridge differs from TMV3 version - see below



Ref.	Description	Part No.	Ref.	Description	Part No.
1	Lock shield	-	19	Check valve Dw15 (pair)	A962594NU
2	Cover cap	E960615AA	20	Intel leg assembly	-
3	Handle screw	A961950NU	21	Grub screw M4 x 6	A963667NU
5	Sequential, thermostatic cartridge *	A960575NU	22	O-ring dia 17 x 2.5	A963143NU
6	Markwik rubber seat assy	A960664NU	24	O ring 32.1 X 1.6 (shroud)	-
7	Antisplash	A960191NU	25	Sterilising nipple assembly (fit hand tight only)	A962498AA
9	Grub screw M6 x 6	-	26	Dust cover	-
10	Combined check valve & flow regulator	A962471AA	34	Momentary action proximity sensor & housing (A4554)	E960619AA
11	O-ring dia 17.6 x 2.4	A962497NU	34a	Sensor IR complete with wire	A960219NU
11a	O-ring	A962496NU	35	Timed flow proximity sensor & housing (A4555)	E960620AA
12	O-ring dia 34.0 x 2.0	A960183NU	41	O-ring dia 8.1 x 1.6	-
13	End cap, Maint carrier & filter complete with o-rings	A962343AA	42	Shroud	A962346AA
14	Index button	E960641AA	35b	Sensor Housing	A963476AA
15	Backnut	E960112NU	Optional accessories		
16	Slip washer dia 60 x 25 x 2	E960631NU	33	Disinfection kit (available separately)	S8239NU
17	O-ring 51.6 x 2.4	E960632NU	37	Remote programming unit (available separately)	A961765NU
18	Wall plate	E960633NU	40	Purging kit (available separately)	A4556AA
			43	EXTRACTION TOOL KIT FOR INTA CART SEAT	A963377NU

* This non-TMV3 version of this fitting uses Cartridge E960575NU and Seat E960664NU as indicated above.
 However, cartridge A962280NU (as used in the TMV3 version) may be substituted if the seat is first removed

Behind Panel Spares



Ref.	Description	Part No.
1	SV link cable 500 long (red & black)	A962447NU
2	Inline service valve with filter only.	E960086NU
3	SV coupler kit (pair)	A962499NU
4	Solenoid valve with seals	A962478NU
5	PCB only with transformer	A960159NU
6	Velcro pad kit	A860704NU
7	PSU Complete	A962881NU