

Sensorflow 21 A4126.. A4180.. A4181.. A4182.. A4183.. A4184..

*Armitage
Shanks*

Produced from: March 2010

Wall mounted spout with sensor
PC-Board DC Battery
chrome 150mm
chrome 230mm

A4126AA
A4182AA

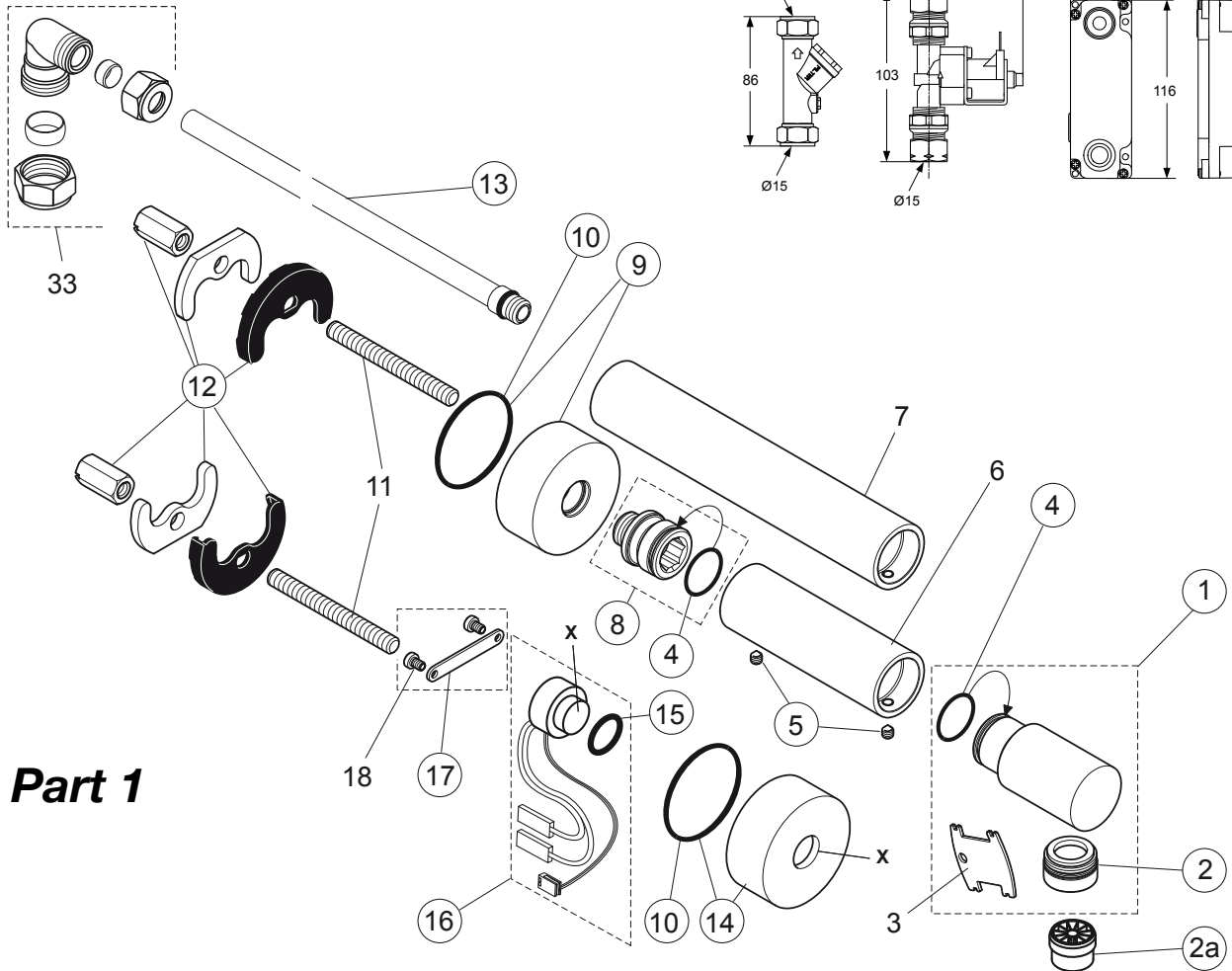
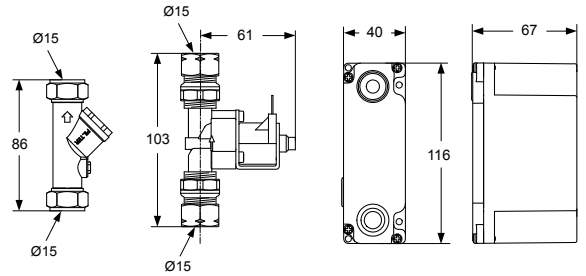
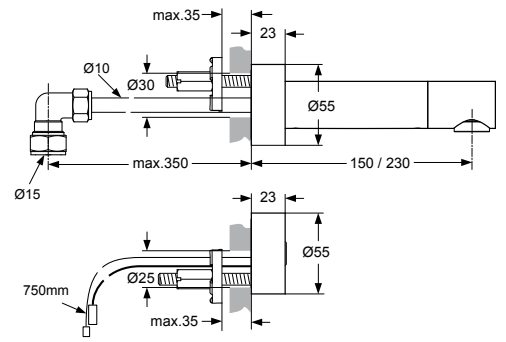
Wall mounted spout with sensor
PC-Board AC
chrome 150mm
chrome 230mm

A4180AA
A4183AA

Wall mounted spout with sensor
PC-Board AC Multiply
chrome 150mm
chrome 230mm

A4181AA
A4184AA

Page 1 of 2



Part 1

Pos.	Description	Part-Number	Qty.	Pos.	Description	Part-Number	Qty.
1	Spout complete	A 962 086 AA	1 pcs	12	Fixation-Set Universal	A 960 401 NU	1 Set
2	Aerator M24x1 complete	B 960 457 AA	1 pcs	13	Flex. hose M10x1-G3/8	A 963 305 NU	1 pcs
2a	Insert to pos. 2	B 960 860 NU	1 pcs		Cu-pipe M10x1	B 960 459 NU	1 pcs
3	Aerator key			14	Escutcheon Sensor	A 962 098 AA	1 pcs
4	O - Ring Ø 20,35 x 1,78	A 961 798 NU	1 Set	15	O - Ring Ø 15,6 x 1,78	A 961 182 NU	2 pcs
5	Thread pin M5 x 6 DIN914	A 963 667 NU	1 pcs	16	Sensor complete + Pos.15	A 960 219 NU	1 pcs
6	Extension f. A4126-80-81AA - 97mm lg.			17	Sensor fixation (tin+screws)	A 960 342 NU	1 pcs
7	Extension f. A4182-83-84AA - 177mm lg.			18	Cylindrical screw M3 x 6 DIN 85		
8	Nipple M16 x 1,5 complete	A 962 096 NU	1 pcs	33	Elbow complete		
9	Escutcheon Spout	A 962 097 AA	1 pcs				
10	O - Ring Ø 44 x 2	A 961 338 NU	2 pcs				
11	Stud M8 x 77						