

Sensorflow 21 A4125.. A4178.. A4179..

*Armitage
Shanks*

Produced from: March 2010

Wall mounted spout with sensor
PC-Board DC Battery
chrome

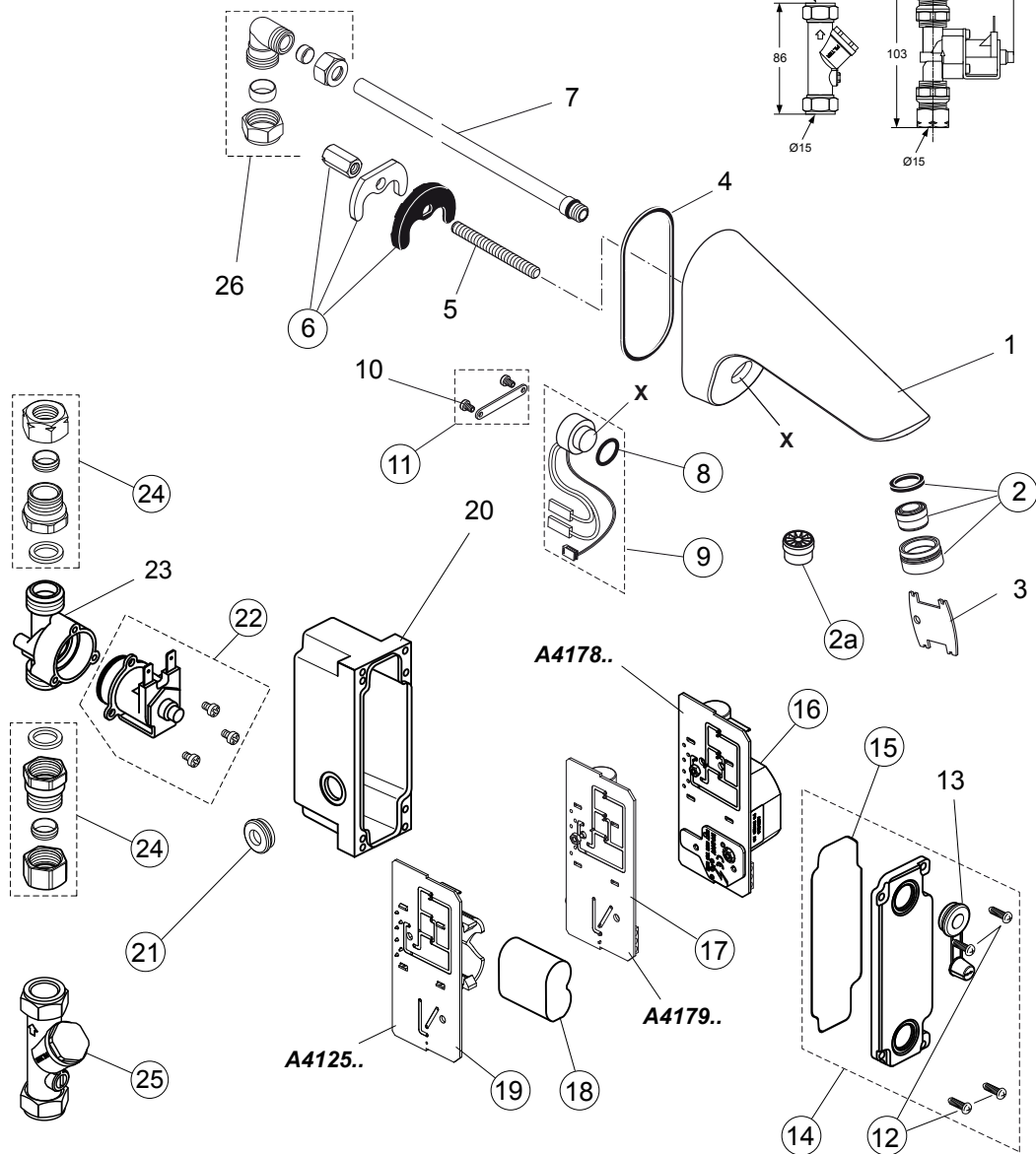
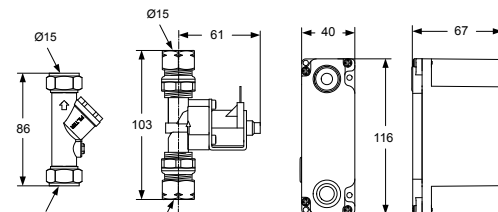
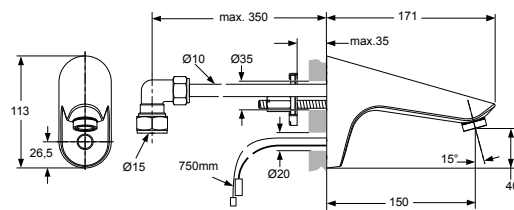
A4125AA

Wall mounted spout with sensor
PC-Board AC
chrome

A4178AA

Wall mounted spout with sensor
PC-Board AC Multiply
chrome

A4179AA



Pos.	Description	Part-Number	Qty.	Pos.	Description	Part-Number	Qty.
1	Spout			14	Cover complete	A 960 163 NU	1 pcs
2	Aerator M24x1 + pos. 3	B 960 859 AA	1 pcs	15	Sealing frame	A 960 162 NU	1 pcs
2a	Insert to pos. 2	B 960 860 NU	1 pcs	16	PC Board AC (A4178AA)	A 960 159 NU	1 pcs
3	Aerator key			17	PC Board Multi (A4179AA)	A 960 160 NU	1 pcs
4	Sealing ring			18	Battery 6V CR-P2	A 960 161 NU	1 pcs
5	Stud M8 x 77			19	PC Board DC (A4125AA)	A 960 158 NU	1 pcs
6	Fixation-Set Universal	A 960 401 NU	1 Set	20	Control box		
7	Pipe Ø10 with nipple M12x1 / L385			21	Cable sealing	A 960 155 NU	2 pcs
8	O - Ring Ø 15,6 x 1,78	A 961 182 NU	2 pcs	22	Magnet valves with screws	A 962 478 NU	1 Set
9	Sensor complete + Pos. 8	A 960 219 NU	1 pcs	23	Valve housing		
10	Cylindrical screw M3x6 DIN 85			24	Coupler (short version)	A 962 499 NU	1 pcs
11	Sensor fixation (tin+screws)	A 960 342 NU	1 pcs	25	Service valve	E 960 086 NU	1 pcs
12	Ejot-PT Screw KB 35x12	A 960 152 NU	4 pcs	26	Elbow complete		
13	Cable sealing special						

Sensorflow