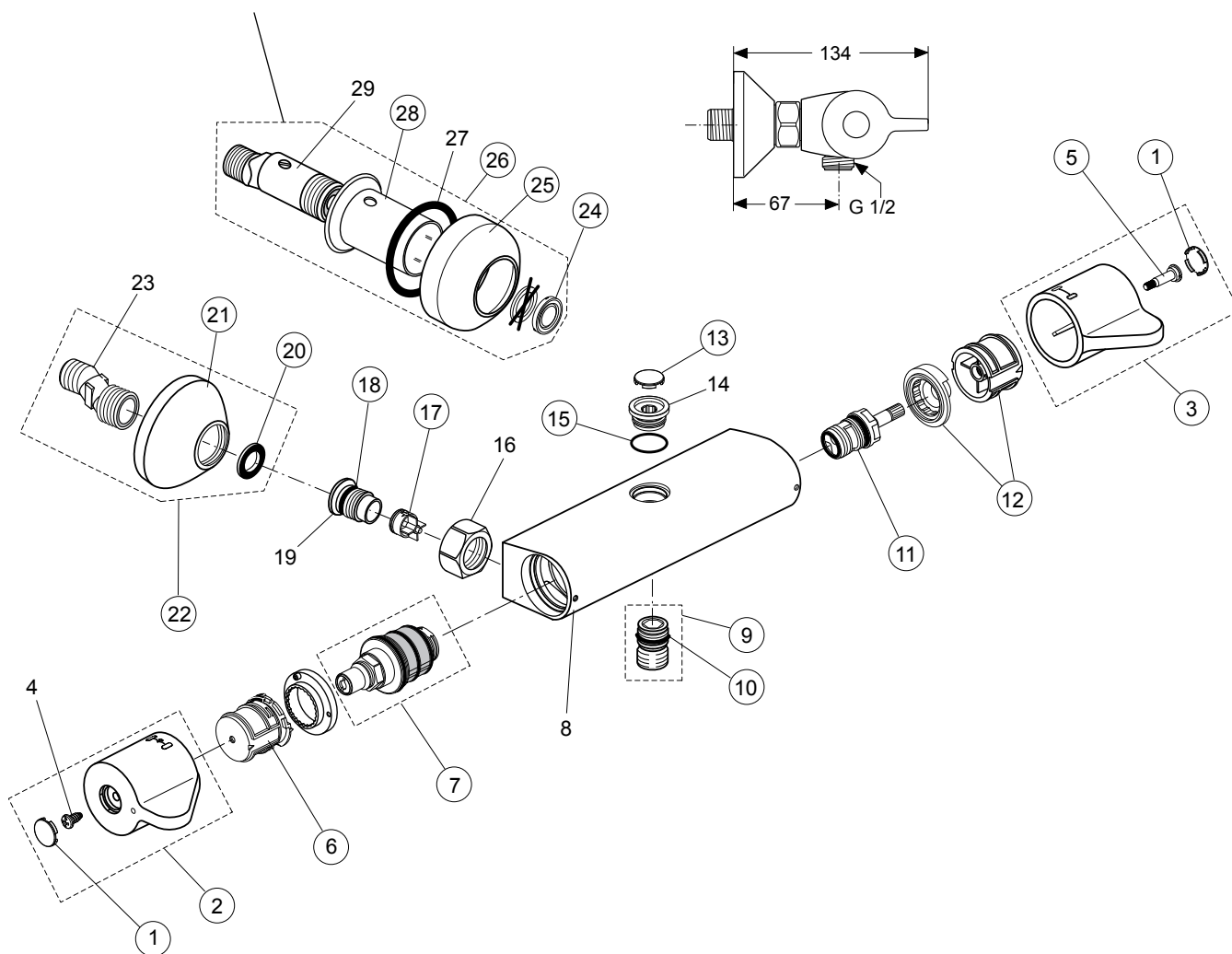
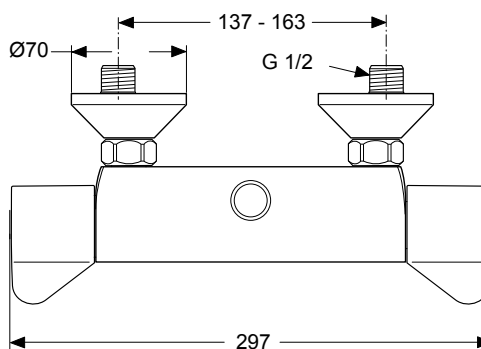


# Contour 21 A4127..

Produced from: July 2011

Exposed thermostat  
shower  
chrome **A4127AA**

additional available  
S-Connector with  
stop valve  
chrome **A961893AA**



Pos.	Description	Part-Number	Qty.	Pos.	Description	Part-Number	Qty.
1	Cover button	<b>A 962 408 LJ</b>	1 pcs	16	Coupling nut G3/4 - SW30		
2	Temperature handle cpl.	<b>A 961 885 AA</b>	1 pcs	17	Check valve ( non-return )	<b>A 860 415 NU</b>	1 pcs
3	Volume handle cpl.	<b>A 961 932 AA</b>	1 pcs	18	O-Ring Ø 17 x 2	<b>A 961 810 NU</b>	2 pcs
4	Ejot-PT KB 50x10 screw			19	Seat M20 x 1 left thread		
5	Handle screw	<b>A 962 998 NU</b>	1 pcs	20	Fibre ring Ø24x15x3	<b>B 960 898 NU</b>	2 pcs
6	Temperature control unit	<b>A 963 427 NU</b>	1 Set	21	Escutcheon	<b>A 960 914 AA</b>	1 pcs
7	Thermostatic cartridge	<b>A 960 587 NU</b>	1 pcs	22	S-Connection complete	<b>A 960 916 AA</b>	2 pcs
8	Body shower			23	S-connector		
9	Connecting nipple compl.	<b>A 963 651 NU</b>	1 pcs	24	Screen	<b>A 961 892 NU</b>	2 pcs
10	O-Ring Ø 17 x 2	<b>A 961 810 NU</b>	2 pcs	25	Rosette outside	<b>A 960 599 AA</b>	1 pcs
11	Cartridge G1/2 90° le.op.	<b>A 960 462 NU</b>	1 pcs	26	S-connector complete	<b>A 961 893 AA</b>	2 pcs
12	Stop ring + adapter	<b>A 963 432 NU</b>	1 Set	27	Backup ring		
13	Cap w/o logo	<b>E 960 641 AA</b>	1 pcs	28	Inboard rosette	<b>A 961 894 AA</b>	1 pcs
14	Plug M20 x 1			29	S-connector on/off		
15	O-Ring Ø 17 x 2	<b>A 961 810 NU</b>	2 pcs				

Contour 21