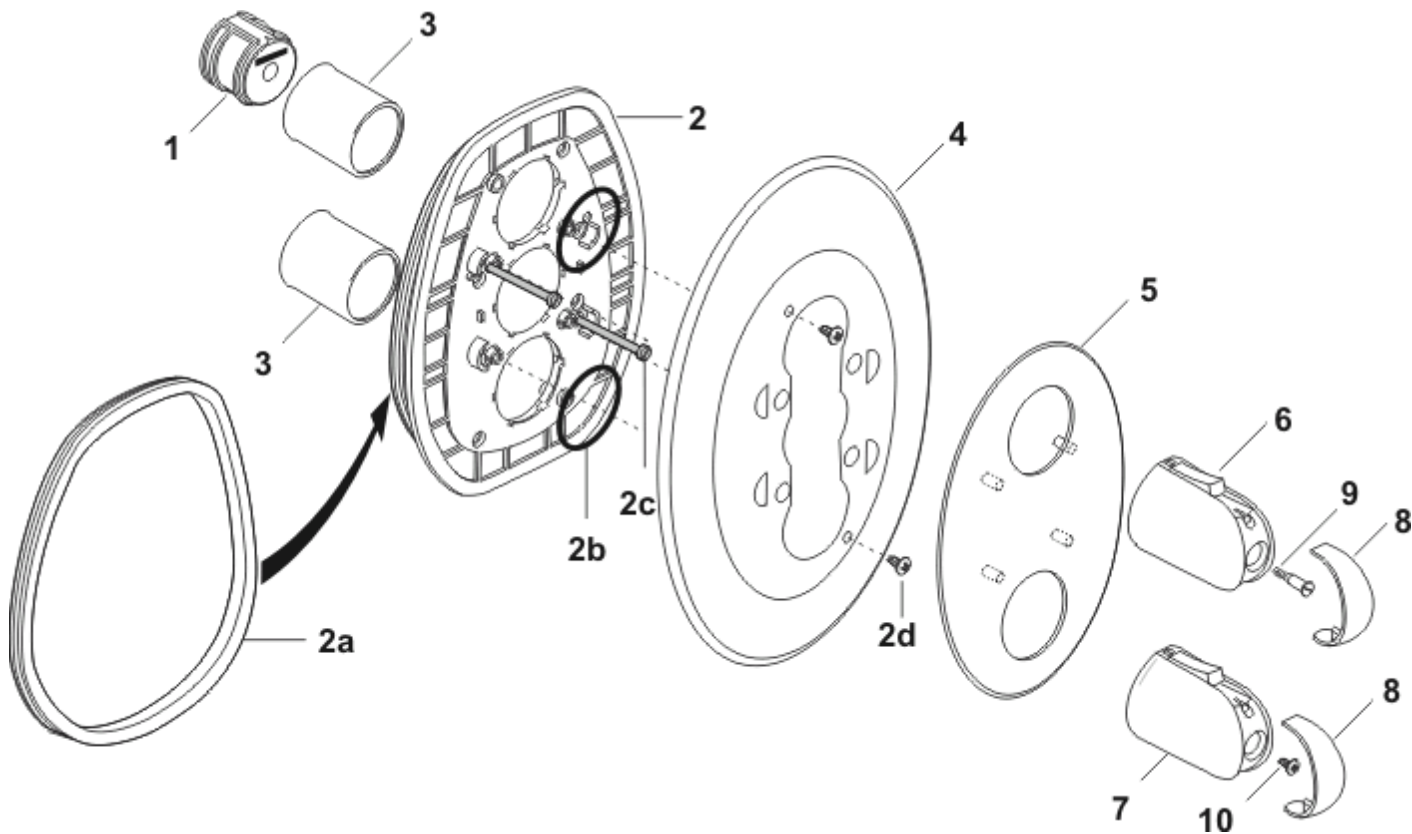


<p>



Ref.	Description
2	DC back plate, black plastic
2a	Gasket for plastic back plate
2b	O-ring for plastic back plate
2c	Set of screws M4 x 45.5
2d	Screws for face plate (2)
3	Shrouds
4	Rear faceplate
5	Faceplate trim
6	Kurve flow control handle
7	Kurve temperature handle
8	Kurve handle cover cap
9	Flow handle screw
10	Temperature handle screw
27	screws for 2

Part No.
A963425NU
A963510NU
A961623NU
A961957NU
A918416
A963426--
A963717--
A963716--
A960609AA
A960610AA
A960926AA
A962998NU
A918416
A961957NU

NB -- colour/finish options

Chrome = AA