

<p>

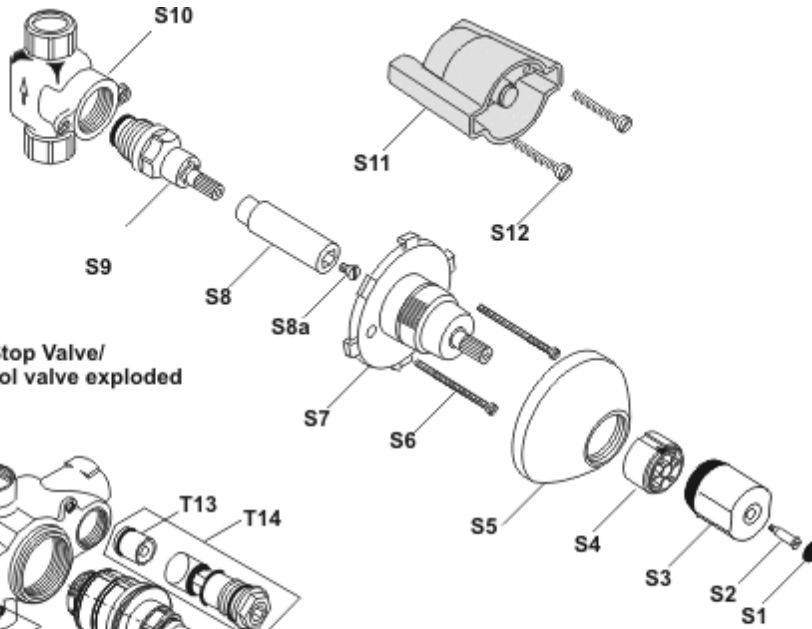


Figure 18 Stop Valve/
Flow Control valve exploded

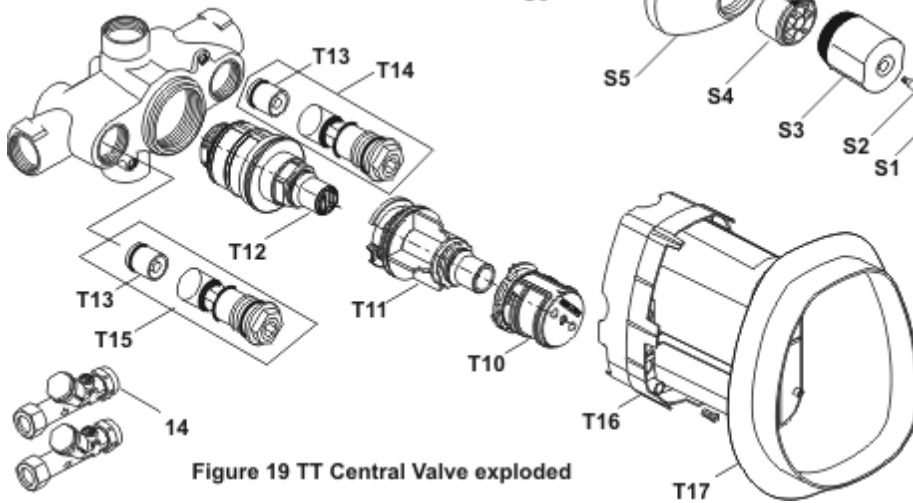


Figure 19 TT Central Valve exploded

Ref.	Description	Part No.
T10	Temperature adjustment carrier	A953957NU11
T11	Temperature Carrier Extension	A962443NU
T12	Thermostatic Cartridge	S960134NU
T13	Non-return valve	-
T14	Cold non-return valve assembly	A962177NU
T15	Hot non return valve assembly	A962178NU
T16	Plaster guard	A923371
T17	Tiling template	A963510NU
14	Isolating valve/strainer	E960086NU

S1	Cover cap	-
S2	Screw (long conical)	-
S3	Standard valve handle (may be	-
S4	Handle carrier	A923348
S5	Escutcheon	A960914AA
S6	Fixation screws (pair) (M4x57mm)	A963177NU
S7	Escutcheon adapter	A963246NU
S8	Extension spindle (65 mm)	A963247NU
S9	3/4" Rubber valve	A951645NU11
S10	Stop valve body	-
S11	Plaster guide	-
S12	Plaster guide fixation screw	-